



APPLICATION

XCANLEDDC luminaires are designed for use indoors, outdoors, wet location, and areas containing moisture, dirt, corrosion, vibration, and rough usage. As defined by the National Electrical Code (NEC) and the Canadian Electrical Code (CEC), they are suitable for use in the following areas:

Certified to:	CSA 22.2 No. 250.0, Conforms To UL 1598 Standard
Housing:	Copper-free 6061-T6 Aluminium and Acrylic lens
Mounting:	Two (2) 1/4-20 Screws or Bolts
Voltage:	VDC: 12-24VDC
Current (Max):	2.64A@12VDC 1.4A@24VDC
Connections:	6' Flying Lead Black: Line White: Neutral Green: Ground
Temperature Range:	-40° C to +75° C
Ingress Protection:	IP66



WARNING

To avoid the risk of fire, explosion, or electric shock, this product should be installed, inspected, and maintained by a qualified electrician only, in accordance with all applicable electrical codes.



WARNING

To avoid electric shock:
 • Be certain electrical power is OFF before and during installation and maintenance.
 • Luminaire must be connected to a wiring system with an equipment-grounding conductor.

INSTALLATION

STEP 1:

Inspect shipping package and contents to ensure no damage has occurred during shipping.

STEP 2:

Loosen each bracket 1/4-20 yoke hex bolt (2x) slightly to allow some free movement. Be sure not to loosen too much that they disengage from the XCANLEDDC body. This will allow for easier installation and aiming.

STEP 3:

Mount fixture to desired location with 2x 1/4-20 screws or bolts.

*See mounting dimensions for installations with fixed studs if desired.

STEP 4:

Adjust fixture to desired angle and tighten bracket 1/4-20 yoke bolts.

STEP 5:

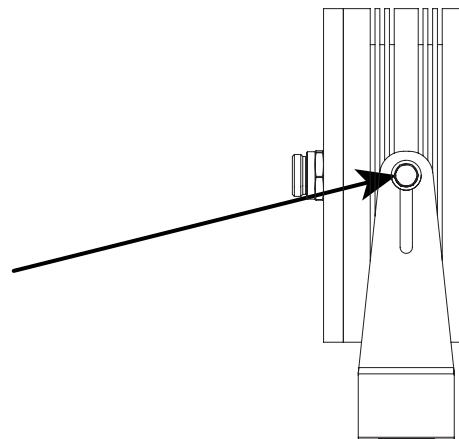
Connect fixture flying lead to 12 or 24 VDC power supply (VDC Models) in accordance with all applicable electrical codes.



Black: DC - | White: +12-24 VDC

STEP 6:

Energize fixture.



Mounting Dimensions

