

KEY FEATURES

- IP68 - Fully encapsulated and suitable for permanent submersion (up to 25ft depth)
- Industrial grade housing designed to withstand vibration and impact
- Linear LED luminaire for the conventional vapor tight category
- Copper free aluminum housing and polycarbonate lens
- Optional 0-10V dimming available (class 1 wiring)
- Suitable for high ambient temperature operation
- Certified for use in Marine Locations (UL 1598A)
- Triple layer corrosion protection
- Multiple mounting options
- Two lumen output levels



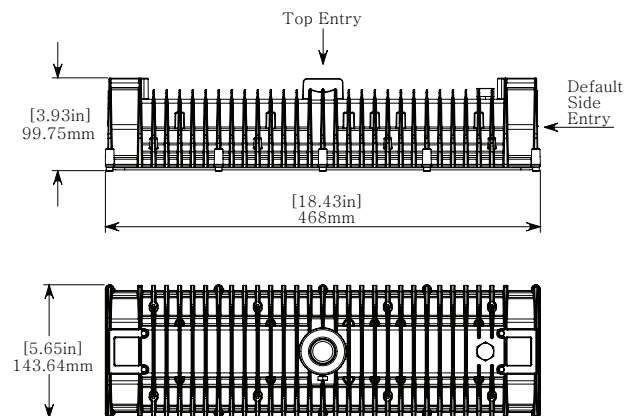
TECHNICAL SPECIFICATIONS / MAXIMUM RATINGS

HOUSING	Copper Free Aluminum and Polycarbonate Lens
MOUNTING	See Pages 2 - 4 for MOUNTING OPTIONS
INPUT VOLTAGE	AC: 120-277VAC HV: 347VAC (50/60 Hz)
RATED POWER	BL20: 17W BL40: 38W
TYPICAL CURRENT	BL20: 120VAC, 0.14A 277VAC, 0.06A 347VAC, 0.05A BL40: 120VAC, 0.30A 277VAC, 0.13A 347VAC, 0.10A
CONNECTIONS	Unless otherwise specified, luminaire supplied with 3.3 meter (10ft) 18/3 SOOW 9.3mm (0.365") diameter cord wired from side entry. 0-10V dimming is only possible if 18/5 SOOW 11.9mm (0.47") diameter cord is specified. *
DIMMING	0-10V Dimmable, Class 1 wiring See CHART on Page 2
TEMPERATURE RANGE	-50°C to +65°C (Case ~30°C above ambient)**
CERTIFICATIONS	Certified to UL 1598, UL 1598A & UL 8750; CSA 22.2 No. 250.0; CSA 22.2 No. 250.13
INGRESS PROTECTION	IP68 - Fully encapsulated and suitable for permanent submersion (up to 25ft depth)
COLOUR TEMP RANGE	50: 5000K Special Order: 2700-6500K (CCT)
CRI VALUE (MIN)	50: 70
TOTAL LUMENS (5000K)	BL20: 2030 BL40: 3575
PROJECTED SYSTEM LIFE	>100,000hrs
WEIGHT	4.9kg (10.8lbs)

*Contact us for alternative cord length, cord type, cord entry and cable gland selection

**The ambient temperature during lifetime, lumen and chromaticity determination is 25°C ± 1°C.

DIMENSIONS

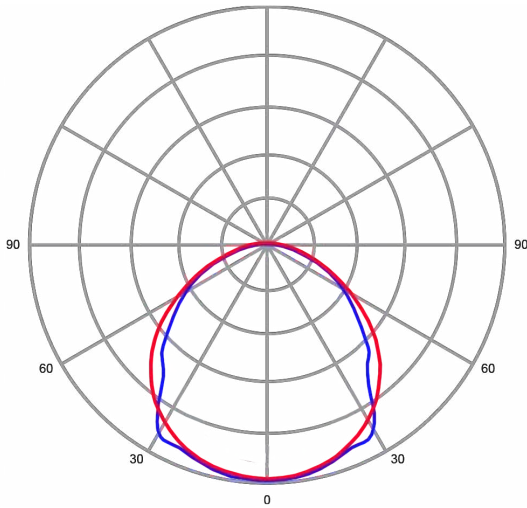


WARRANTY

Five (5) year limited warranty to the original purchaser. The warranty covers defects in materials and workmanship under normal use and service.

For additional information see:
<https://nemalux.com/legal>

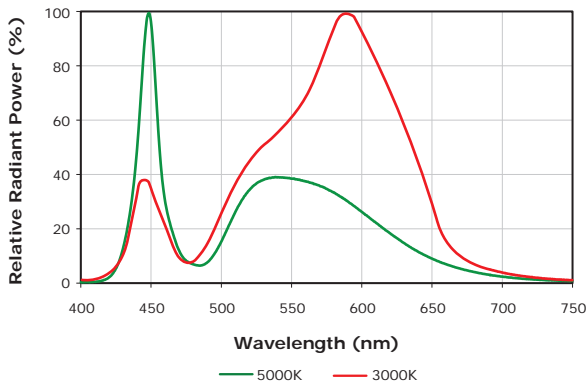
DISTRIBUTION



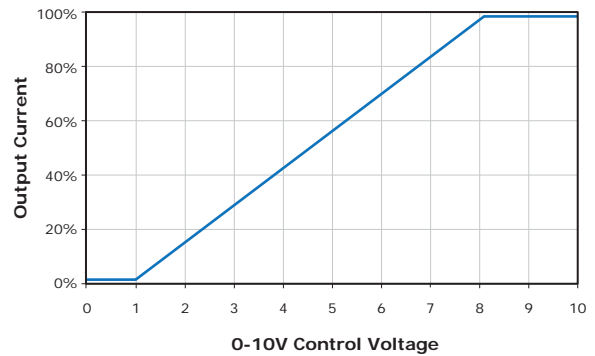
WF - Wide Beam (No Optic)

LUMEN OUTPUT (50)	
BL20	2030
BL40	3575

PHOTOMETRICS



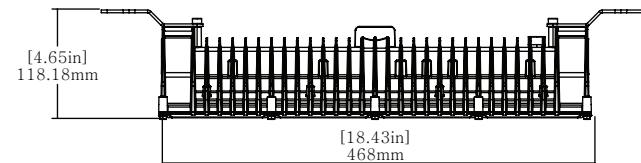
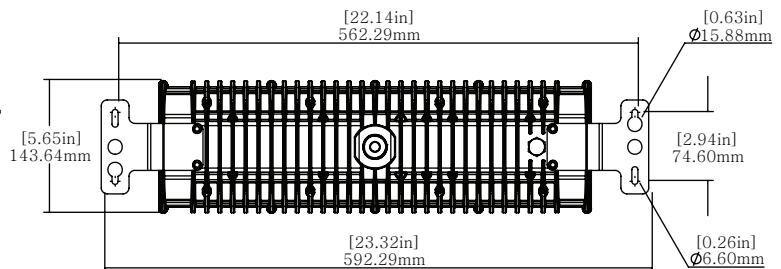
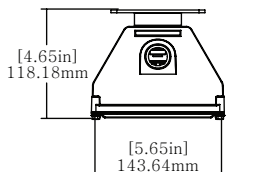
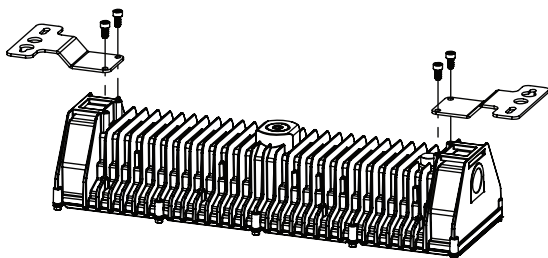
OPTIONAL 0-10V DIMMING*



- Driver will source a maximum of 200uA for control needs
- Controller must sink current from the 0-10V control leads
- *Contact us to specify dimming models and cord requirements

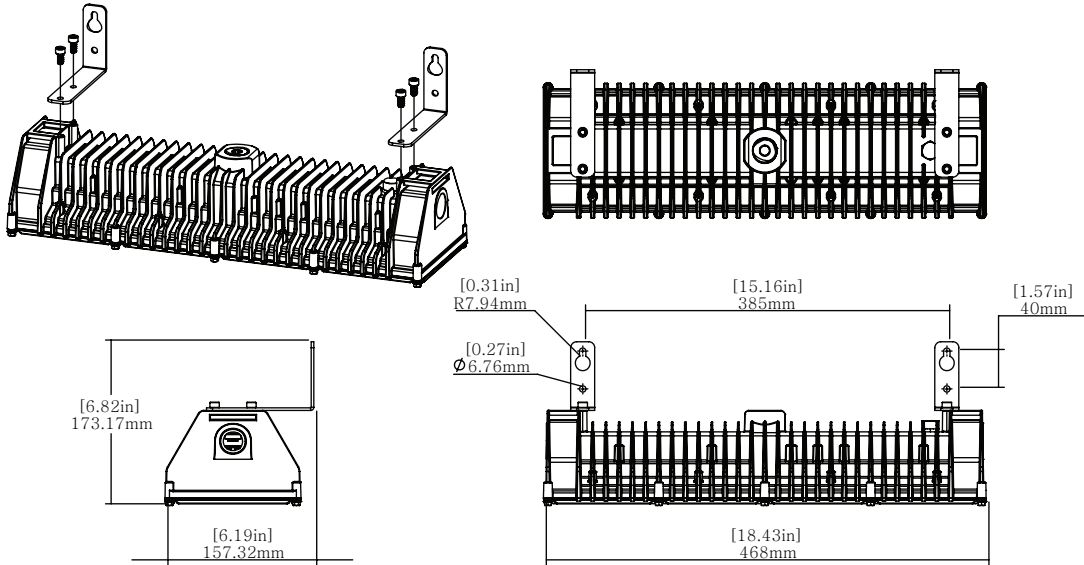
MOUNTING OPTIONS (Ordered Separately)

SURFACE MOUNT (BL-SM) : 3.2 kg | 7.0 lbs

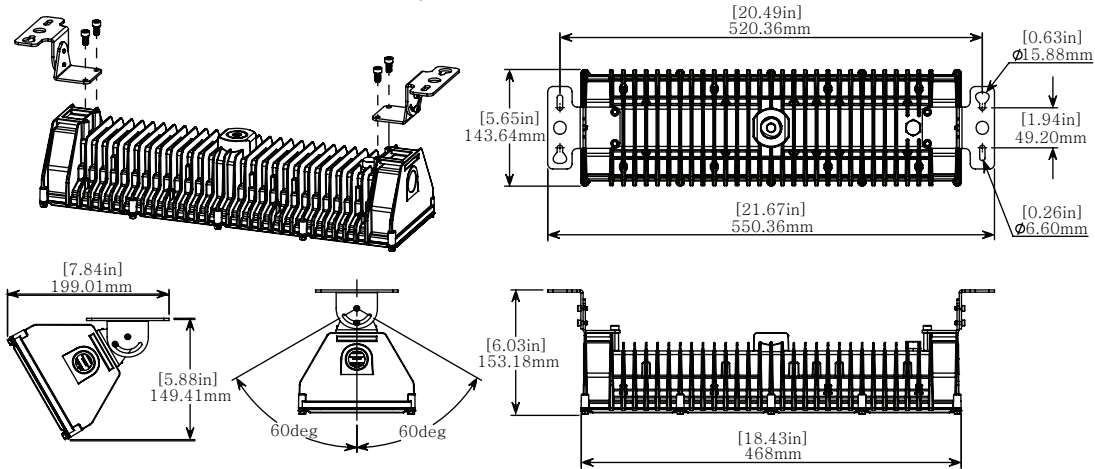


MOUNTING OPTIONS (Ordered Separately)

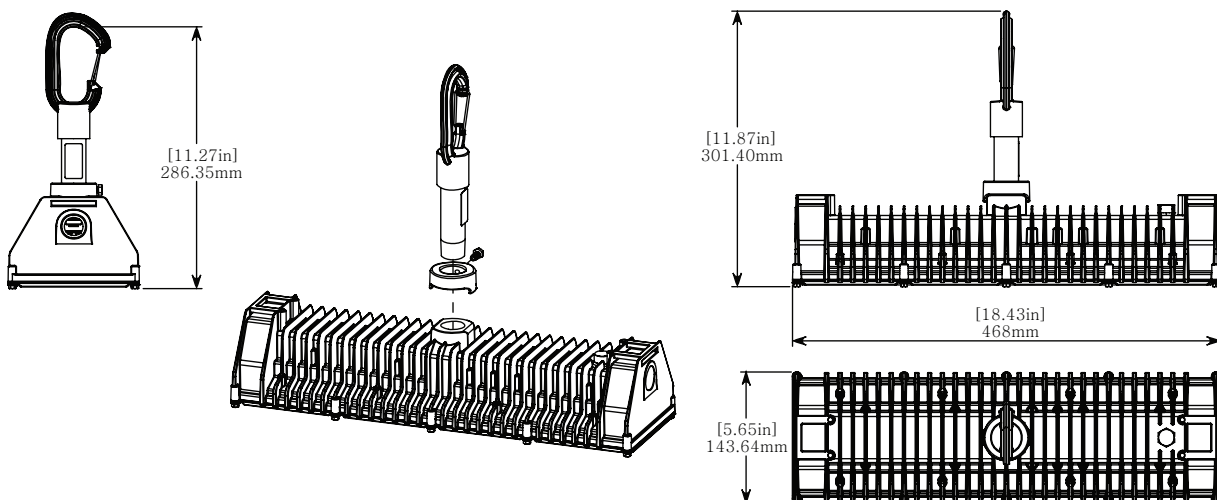
WALL MOUNT (BL-WM) : 3.1 kg | 6.8 lbs



ADJUSTABLE YOKE MOUNT (BL-YM) : 3.3 kg | 7.2 lbs

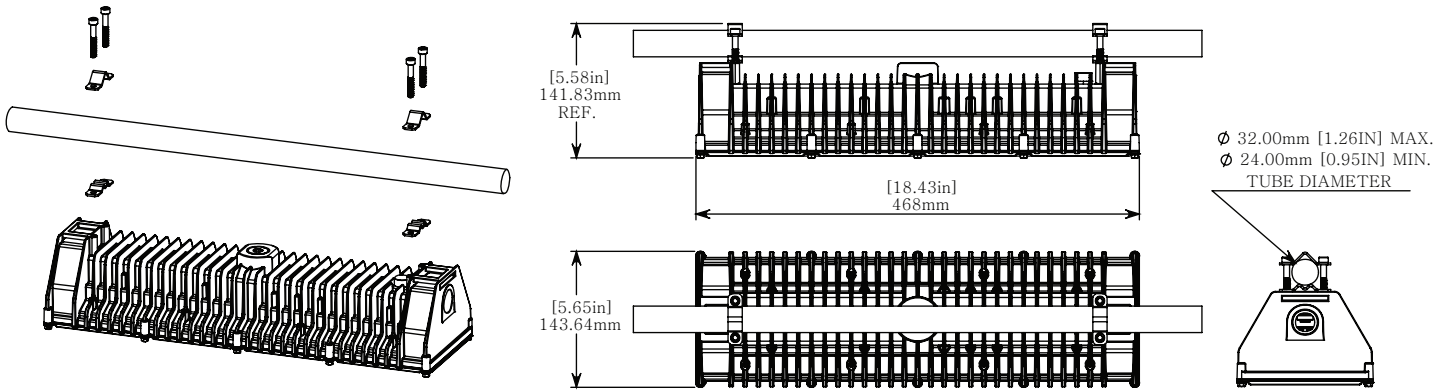


HOOK MOUNT (BL-HK) : 3.2 kg | 7.0 lbs

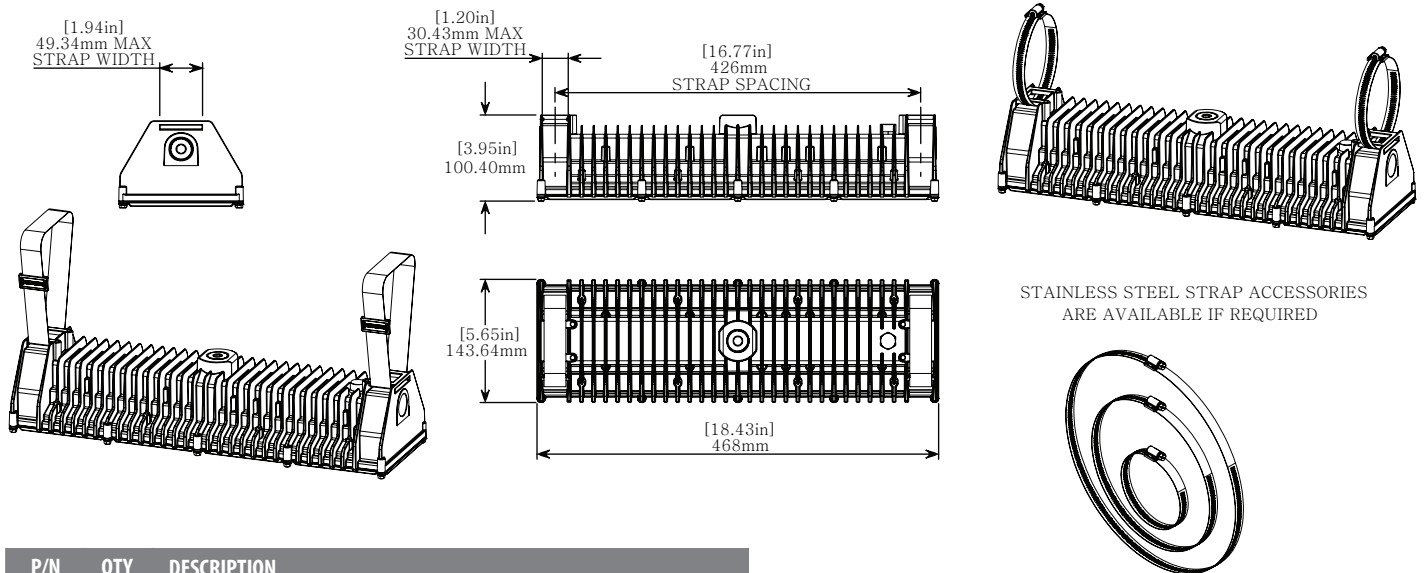


MOUNTING OPTIONS (Ordered Separately)

TUBE CLAMP MOUNT (BL-TC) : 3.2 kg | 7.0 lbs



STRAP MOUNTING : 3.1 kg | 6.8 lbs



P/N	QTY	DESCRIPTION
STS12	2	Stainless steel tube clamp, fits 9 3/8" to 12" tubing diameter
STS9	2	Stainless steel tube clamp, fits 7 1/8" to 9 3/4" tubing diameter
STS8	2	Stainless steel tube clamp, fits 5 5/8" to 8 1/4" tubing diameter
STS6	2	Stainless steel tube clamp, fits 4 1/8" to 6 3/4" tubing diameter
STS5	2	Stainless steel tube clamp, fits 3 5/8" to 6 1/4" tubing diameter
STS4	2	Stainless steel tube clamp, fits 3 5/16" to 4 1/4" tubing diameter
STS3	2	Stainless steel tube clamp, fits 2 9/16" to 3 1/4" tubing diameter

ORDERING INFORMATION

PROJECT NAME		TYPE
PROJECT LOCATION		
COMMENT		DATE
PREPARED BY		

MODEL SELECTOR

Sample Number: BL40-50-GY-EN-AC

MODEL	COLOUR	FINISH	LOCATION	VOLTAGE	OPTIONS
-	-	GY	EN	-	
BL20 BL40	50 - 5000K(70CRI) Special Order: 27 - 2700K, 70CRI ² 27H - 2700K, 90CRI ² 30 - 3000K, 70CRI ² 30H - 3000K, 90CRI ² 40 - 4000K, 70CRI ² 40H - 4000K, 90CRI ² 50H - 5000K, 90CRI ² 57 - 5700K, 70CRI ² 57H - 5700K, 90CRI ² 65 - 6500K, 70CRI ² 65H - 6500K, 90CRI ²	GY - Grey Custom finishes are available. Please contact for details ²	EN - Fully Encapsulated	AC - 120-277VAC HV - 347VAC	GW - Glass window in stainless frame ²

ACCESSORIES (Order Separately)³

Sample Number: BL-SM

ACCESSORY	FINISH
-	GY
BL-SM - Surface Mount ¹ BL-WM - Wall Mount ¹ BL-YM - Adjustable Yoke Mount ¹ BL-HK - Hook Mount BL-TC - Tube Clamp Mount ¹ BL-STSS## - Stainless Steel Straps (See pg. 4) ¹	GY - Grey

NOTES:

1. Stainless steel mounting accessories have no colour code i.e BL-SM.
2. Minimum order quantities, additional costs and lead times may apply.
3. Mounting hardware may be ordered with luminaire or as stand-alone hardware kits.