

KEY FEATURES

- Designed for harsh and hazardous location use
- Field serviceable light engines, power supply, and housing elements
- Copper-free aluminum housing with polycarbonate or glass lens
- Approved for through-wiring of multiple units on a single circuit
- Lightweight replacement for conventional vapor-tight lights
- Built-in junction area for simplified termination
- 7 mounting options for deployment flexibility



LC21CA19098-1X

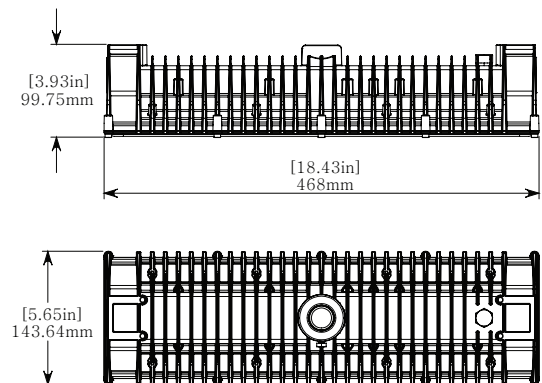


TECHNICAL SPECIFICATIONS / MAXIMUM RATINGS

HOUSING	Copper Free Aluminum and Glass Lens
MOUNTING	See Pages 3 - 5 for MOUNTING OPTIONS
INPUT VOLTAGE	AC: 120-277VAC (50/60 Hz)
RATED POWER	BL20: 17W BL40: 34W
TYPICAL CURRENT	BL20: 120VAC, 0.14A 277VAC, 0.06A BL40: 120VAC, 0.28A 277VAC, 0.12A
CONNECTIONS	3 x 3/4" NPT Entries
DIMMING	0-10V Dimmable, Class 1 wiring See CHART on Page 2
TEMPERATURE RANGE	-50°C to +65°C (Case ~30°C above ambient)
CERTIFICATIONS	Conforms to: CSA C22.2 NO. 60079-0, CSA-C22.2 NO. 60079-31, CSA-C22.2 No. 250.0, and CSA 22.2 No. 250.13 Ex tb IIIC Db T94°C -50°C <Ta< +65°C Zone 21
INGRESS PROTECTION	IP66 Suitable for wet locations.
COLOUR TEMP RANGE	50: 5000K Special Order: 2700-6500K (CCT)
CRI VALUE (MIN)	50: 70
EFFICACY (5000K)	BL20: 145 lm/w BL40: 131 lm/w (5000K CCT, 120VAC typical power)
TOTAL LUMENS (5000K)	BL20: 2540 BL40: 4475
PROJECTED SYSTEM LIFE	>100,000 hrs
WEIGHT	3.8 kg (8.4 lbs)

* The ambient temperature during lifetime, lumen and chromaticity determination is 25°C ± 1°C.

DIMENSIONS

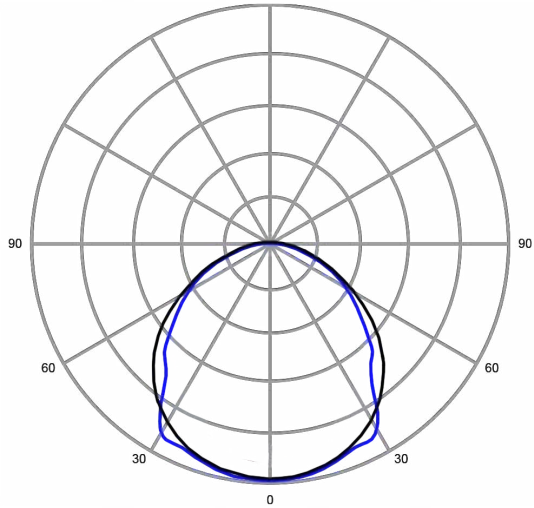


WARRANTY

Five (5) year limited warranty to the original purchaser. The warranty covers defects in materials and workmanship under normal use and service.

For additional information see:
<https://nemalux.com/legal>

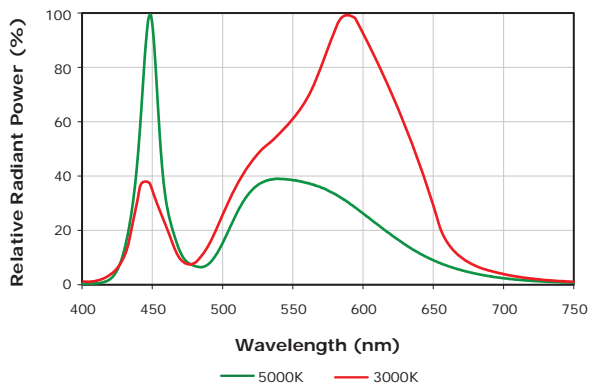
DISTRIBUTION



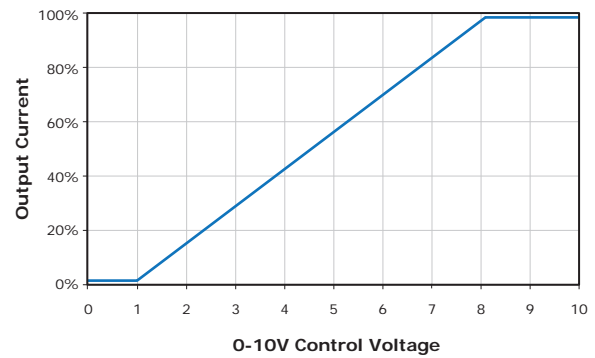
WF - Wide Beam (No Optic)

LUMEN OUTPUT (50)	
BL20	2540
BL40	4475

PHOTOMETRICS



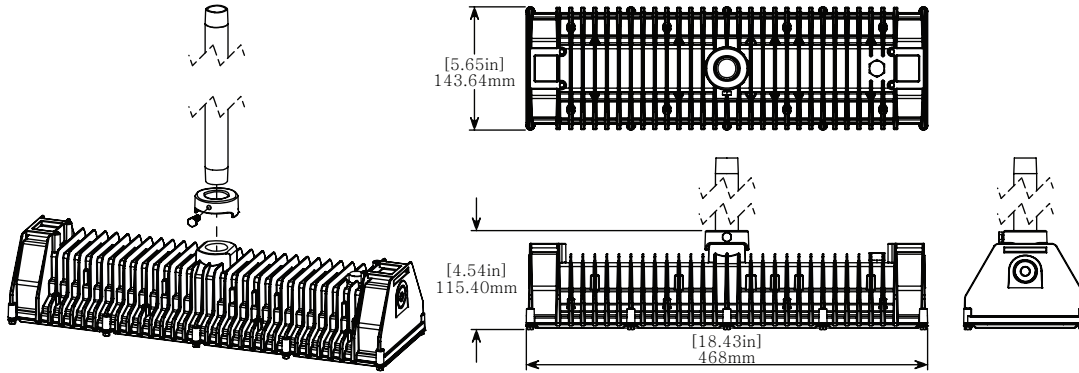
DIMMING



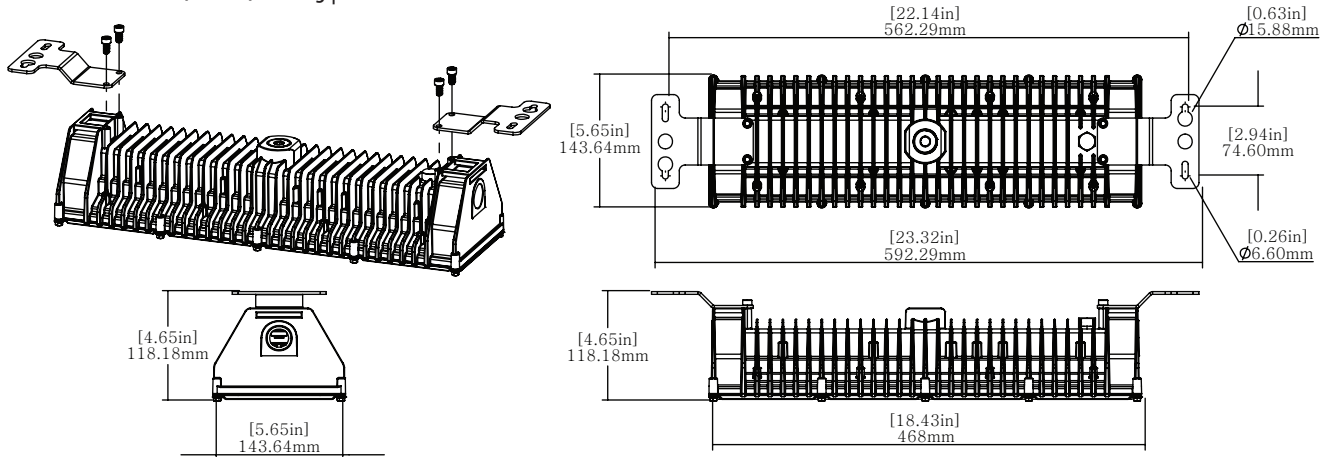
- Driver will source a maximum of 200uA for control needs
- Controller must sink current from the 0-10V control leads

MOUNTING OPTIONS (Ordered Separately)

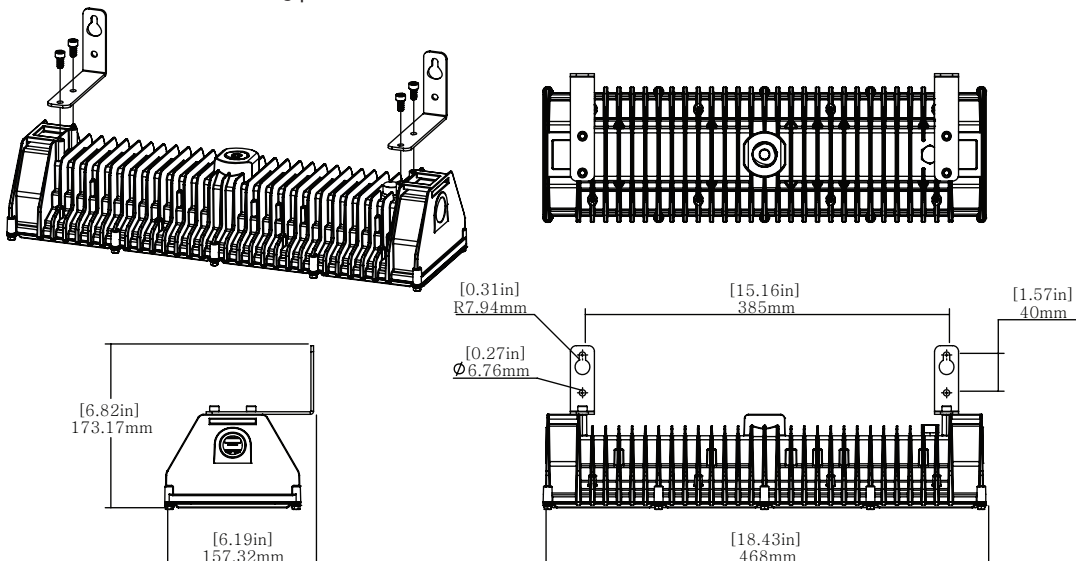
PENDANT/CONDUIT MOUNT (R-CC) : 3.0 kg | 6.6 lbs *Not including conduit*
(Direct connection of BL luminaire to hanging conduit)



SURFACE MOUNT (BL-SM) : 3.2 kg | 7.0 lbs

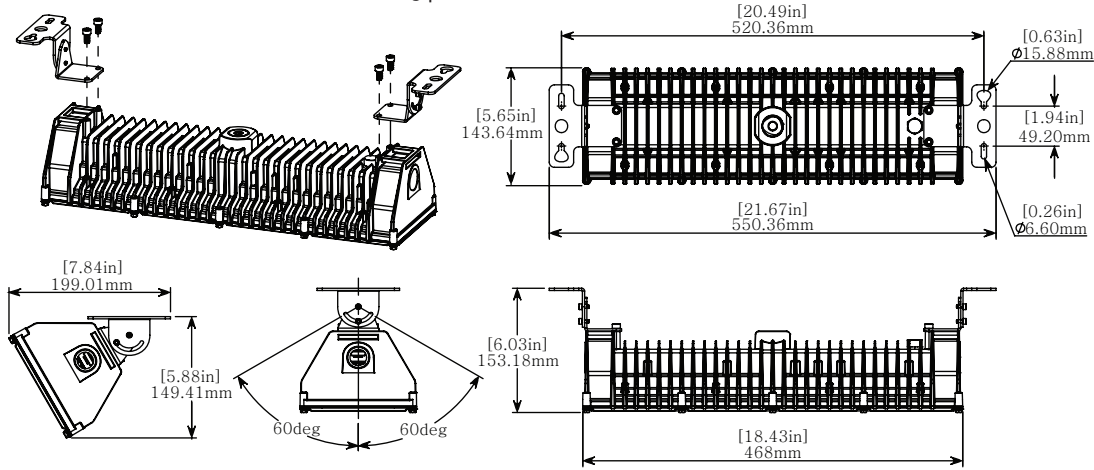


WALL MOUNT (BL-WM) : 3.1 kg | 6.8 lbs

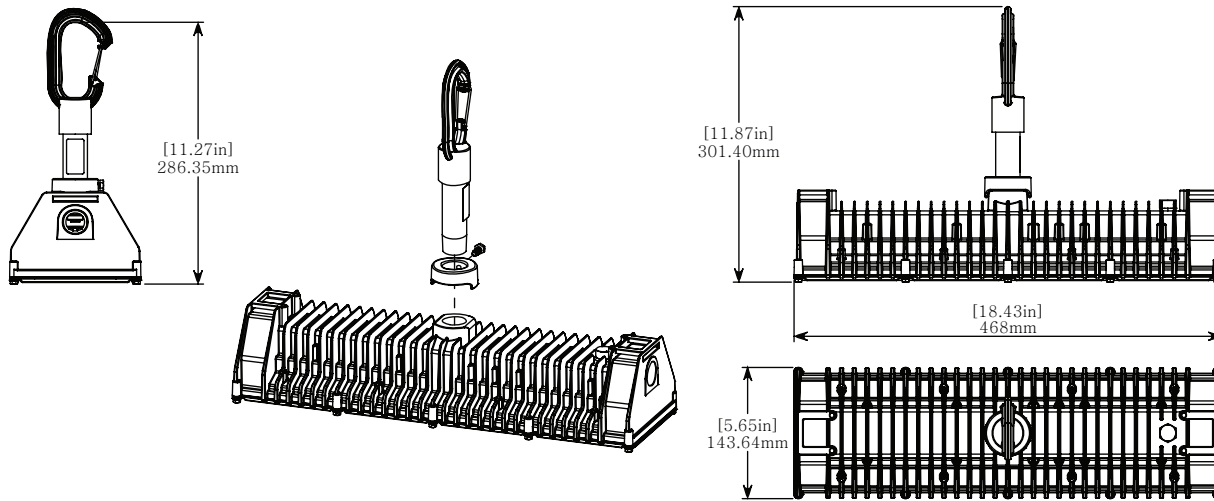


MOUNTING OPTIONS (Ordered Separately)

ADJUSTABLE YOKE MOUNT (BL-YM) : 3.3 kg | 7.2 lbs

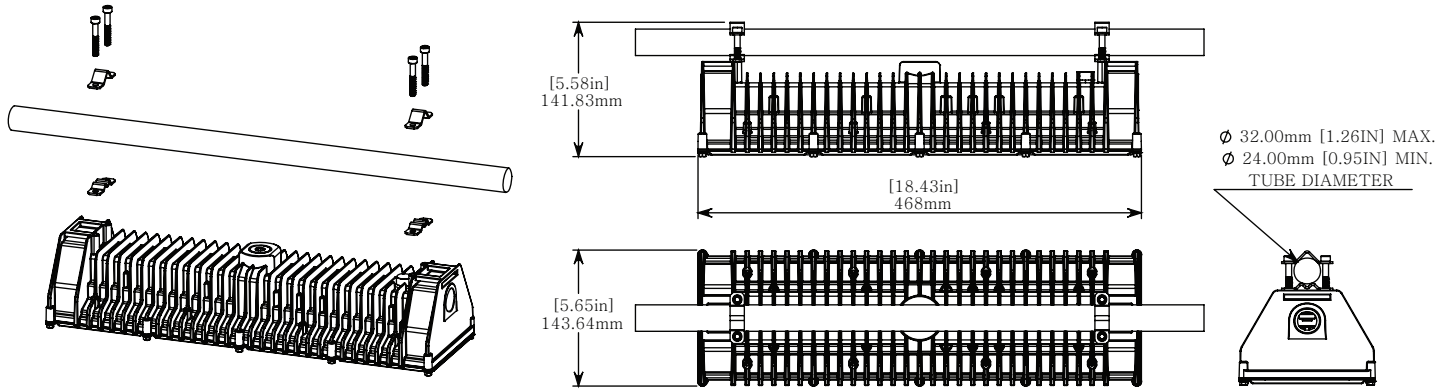


HOOK MOUNT (BL-HK) : 3.2 kg | 7.0 lbs

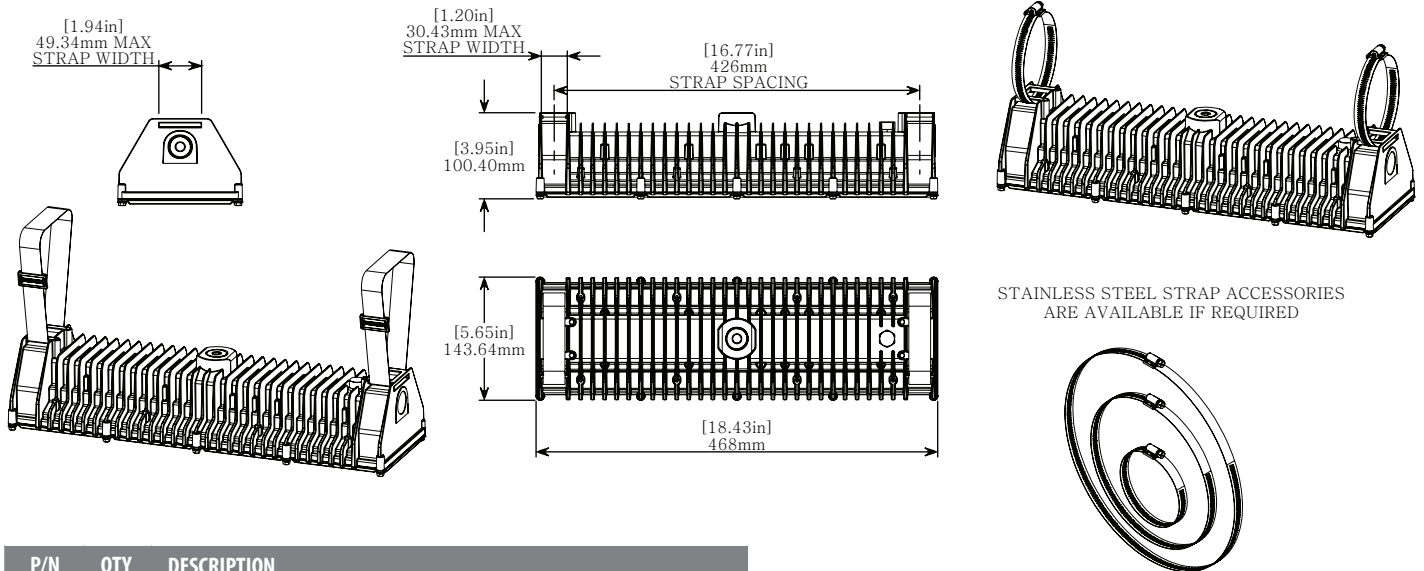


MOUNTING OPTIONS (Ordered Separately)

TUBE CLAMP MOUNT (BL-TC) : 3.2 kg | 7.0 lbs



STRAP MOUNTING : 3.1 kg | 6.8 lbs



P/N	QTY	DESCRIPTION
STS12	2	Stainless steel tube clamp, fits 9 3/8" to 12" tubing diameter
STS9	2	Stainless steel tube clamp, fits 7 1/8" to 9 3/4" tubing diameter
STS8	2	Stainless steel tube clamp, fits 5 5/8" to 8 1/4" tubing diameter
STS6	2	Stainless steel tube clamp, fits 4 1/8" to 6 3/4" tubing diameter
STS5	2	Stainless steel tube clamp, fits 3 5/8" to 6 1/4" tubing diameter
STS4	2	Stainless steel tube clamp, fits 3 5/16" to 4 1/4" tubing diameter
STS3	2	Stainless steel tube clamp, fits 2 9/16" to 3 1/4" tubing diameter

ORDERING INFORMATION

PROJECT NAME		TYPE
PROJECT LOCATION		
COMMENT		DATE
PREPARED BY		

MODEL SELECTOR

Sample Number: BL40-50-GY-Z21-AC-GW

MODEL	COLOUR	FINISH	LOCATION	VOLTAGE	WINDOW
-	-	GY -	Z21 -	AC -	GW
BL20 BL40	50 - 5000K(70CRI) Special Order: 27 - 2700K, 70CRI ² 27H - 2700K, 90CRI ² 30 - 3000K, 70CRI ² 30H - 3000K, 90CRI ² 40 - 4000K, 70CRI ² 40H - 4000K, 90CRI ² 50H - 5000K, 90CRI ² 57 - 5700K, 70CRI ² 57H - 5700K, 90CRI ² 65 - 6500K, 70CRI ² 65H - 6500K, 90CRI ²	GY - Grey Custom finishes are available. Please contact for details. ²	Z21 - Zone Approval	AC - 120-277VAC	GW - Glass window in stainless frame

ACCESSORIES (Ordered Separately)³

Sample Number: BL-SM

ACCESSORY	COLOR
-	
R-CC - Pendant/Conduit Mount	GY - Grey
SM - Surface Mount ¹	
WM - Wall Mount ^{1,2}	
YM - Adjustable Yoke Mount ^{1,2}	
HK - Hook Mount	
TC - Tube Clamp Mount ^{1,2}	
STS## - Stainless Steel Straps (See pg. 4) ¹	

NOTES:

1. Stainless steel mounting accessories have no colour code - i.e. BL-SM.
2. Minimum order quantities, additional costs and lead times may apply.
3. Mounting hardware may be ordered with luminaire or as stand-alone hardware kits.