



KEY FEATURES

- Designed for harsh, and hazardous location use
- Copper-free, aluminum housing with polycarbonate lens
- Small size allows for deployment in difficult locations
- Factory sealed with 6ft flying lead and cable gland
- Thermally managed for maximum longevity
- Operates on 12 to 24 Volt DC direct input

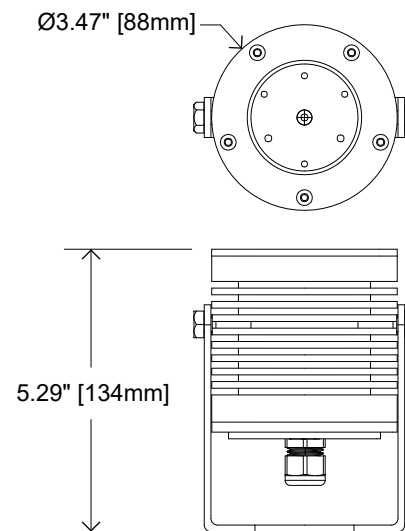


TECHNICAL SPECIFICATIONS / MAXIMUM RATINGS

HOUSING	Anodized Aluminum
MOUNTING	Stainless Steel Yoke
VOLTAGE MAXIMUM	28 VDC
INPUT VOLTAGE	12-24 VDC
POWER (TYP)	7.9 W @ 12 VDC 8.4 W @ 24 VDC
CURRENT (TYP)	0.66 A @ 12 VDC 0.35 A @ 24 VDC
CONNECTIONS	1.8 m 6ft flying lead (Custom lengths available)
TEMPERATURE RANGE	-40°C to +55°C (Case ~15°C above ambient)
CERTIFICATIONS	Class I, Division 2, Groups ABCD, T3
INGRESS PROTECTION	IP66
COLOUR TEMP RANGE	CW: 5000K Custom: 2700-6500K & Coloured LEDs
CRI VALUE (MIN)	CW: 75
TOTAL LUMENS	CW-W: 469 CW-N: 587
LUMEN MAINTENANCE	LM-80 > 60,500 hrs (Based on CREE long term testing)
WEIGHT	1.04 kg 2.3 lbs

* The ambient temperature during lifetime, lumen and chromaticity determination is 25°C ± 1°C.

DIMENSIONS

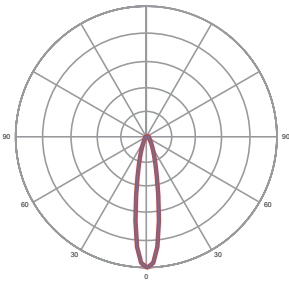


WARRANTY

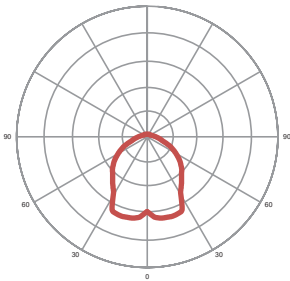
Five (5) year limited warranty to the original purchaser. The warranty covers defects in materials and workmanship under normal use and service.

For additional information see: <https://nemalux.com/legal>

OPTICS OPTIONS



N - Narrow



W - Wide

NARROW BEAM



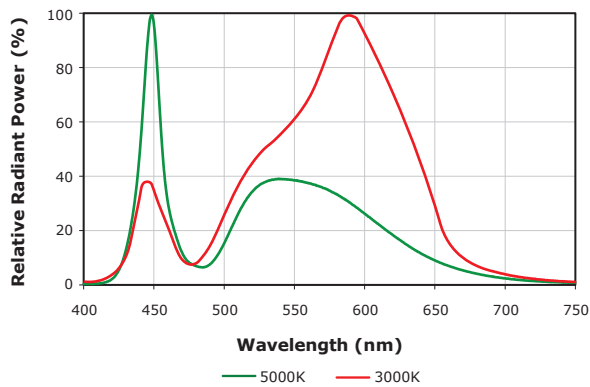
WIDE BEAM



FROSTED LENS

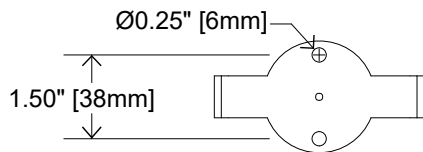


PHOTOMETRICS



MOUNTING

MOUNTING BRACKET



ORDERING INFORMATION

PROJECT NAME		TYPE
PROJECT LOCATION		
COMMENT		DATE
PREPARED BY		

MODEL SELECTOR

Sample Number: CANLED-CW-W-ALU-GEN

MODEL	COLOUR	OPTIC	FINISH	LOCATION
CANLED -	CW -	-	ALU -	GEN
	CW - Cool White Custom colour temperatures and colours are available. Please contact for details. ¹	N - Narrow W - Wide NF - Narrow Frosted WF - Wide Frosted	ALU - Clear Anodized Custom finishes are available. Please contact for details. ¹	GEN - General Location

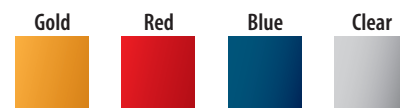
CUSTOM OPTIONS

WIRING

Other wire lengths available in 30 cm (1 ft) increments.¹

CUSTOM FINISHES¹

Anodized Aluminum



Please contact for further options.

NOTES:

1. Additional costs and lead times may apply.