



## KEY FEATURES

- Class I Division 1, Explosion-proof luminaire designed for confined space and low clearance applications
- Copper-free, marine-grade aluminum housing with glass lens
- No arcing, sparking, or hazardous temperature components
- Tested to withstand more than 2,500 psi internal pressure
- Built-in junction box with 3/4" NPT entries on three sides
- Thermally managed for maximum longevity

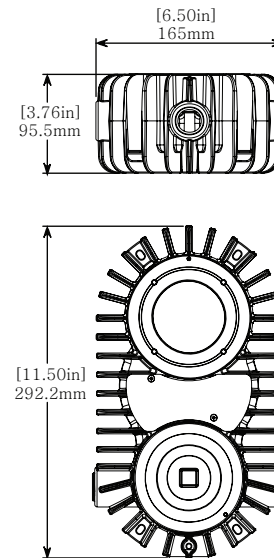


## TECHNICAL SPECIFICATIONS / MAXIMUM RATINGS

<b>HOUSING</b>	Copper Free Aluminium with Tempered Glass Lens
<b>MOUNTING</b>	4x #10 Screws, Surface Mount See Page 2 for MOUNTING OPTIONS
<b>INPUT VOLTAGE</b>	<b>AC:</b> 120-277VAC (50/60Hz)   <b>DC:</b> 22-28VDC
<b>RATED POWER</b>	<b>AC:</b> 30W   <b>DC:</b> 35W
<b>CURRENT (TYP)</b>	<b>AC:</b> 0.2A @ 120VAC   <b>DC:</b> 1.1A @ 24VDC
<b>CONNECTIONS</b>	3x 3/4" NPT
<b>DIMMING</b>	Can be dimmed via supply pulse modulation
<b>TEMPERATURE RANGE</b>	-50°C to +58°C (Case ~20°C above ambient)
<b>CERTIFICATIONS</b>	Certified to UL 1598 CSA C22.2 No. 250.0, UL 8750 CSA C22.2 No. 250.13, UL 844 CSA C22.2 No. 137; Class I, Division 1, Groups CD T5; Class II, Division 1, Groups EFG T4A; Class III, Division 1; Class I, Zone 1, Group IIB; Class II, Zone 20, Group IIIC
<b>INGRESS PROTECTION</b>	IP66
<b>COLOUR TEMP RANGE</b>	<b>50:</b> 5000K   Special Order: 2700-6500K
<b>CRI VALUE (MIN)</b>	<b>50:</b> 70   Special Order: 70-90
<b>TOTAL LUMENS</b>	1220 lm
<b>ESTIMATED SYSTEM LIFE</b>	120,000 hrs
<b>WEIGHT</b>	4.4 kg   9.8 lbs

\*The ambient temperature during lifetime, lumen and chromaticity determination is 25°C ± 1°C.

## DIMENSIONS

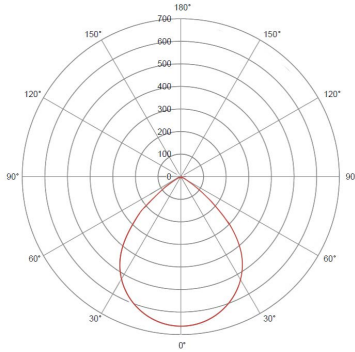


## WARRANTY

Five (5) year limited warranty to the original purchaser. The warranty covers defects in materials and workmanship under normal use and service.

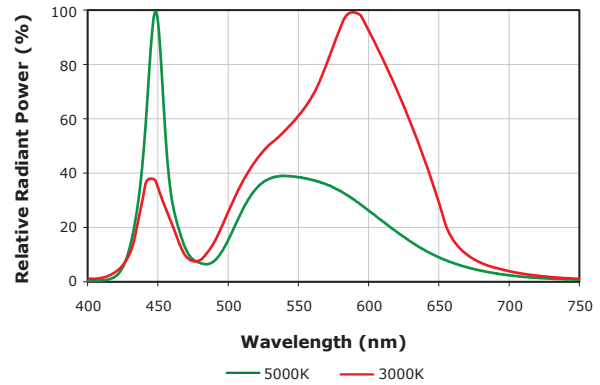
For additional information see:  
<https://nemalux.com/legal>

## OPTIC OPTIONS



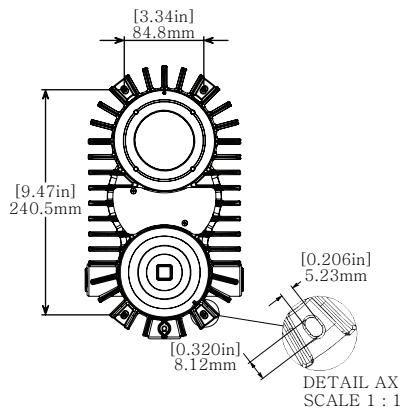
WF - Wide Beam (No Optics)  
Approximately 90°

## PHOTOMETRICS



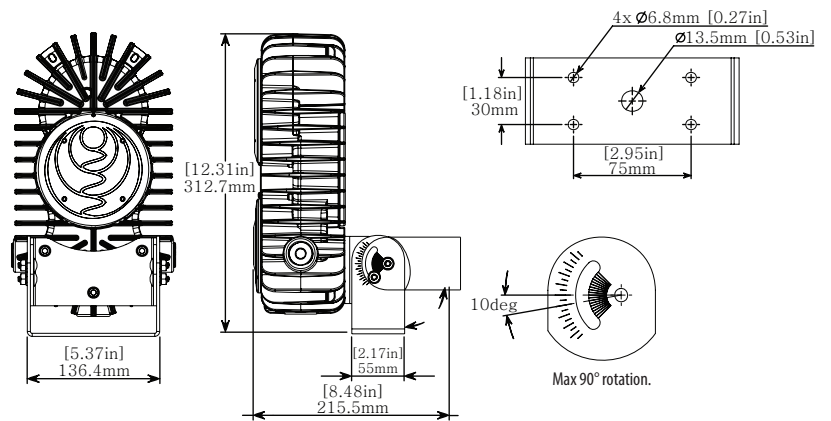
## MOUNTING OPTIONS

**SURFACE MOUNT : 4.4 kg | 9.8 lbs**



Mounting tabs sized for M5 or #10 fasteners.

**YOKE MOUNT (EXC-YM) : 5.3 kg | 11.6 lbs (Optional Accessory)**



Mounting holes sized for M6 or 1/4" fasteners.



**ORDERING INFORMATION**
**PHOTOMETRICS**

PROJECT NAME		TYPE
PROJECT LOCATION		
COMMENT		DATE
PREPARED BY		

**MODEL SELECTOR**

Sample Number: EXC-50-WF-GY-HZ-AC

MODEL	COLOUR	OPTIC	FINISH	LOCATION	POWER
EXC -	-	WF -	GY -	HZ -	
EXC	50 - 5000K Special Order: 27 - 2700K <sup>1</sup> 30 - 3000K <sup>1</sup> 27H - 2700K, 90CRI <sup>1</sup> 30H - 3000K, 90CRI <sup>1</sup> 35 - 3500K <sup>1</sup> 35H - 3500K, 90CRI <sup>1</sup> 40 - 4000K <sup>1</sup> 40H - 4000K, 90CRI <sup>1</sup> 50H - 5000K, 90CRI <sup>1</sup> 57 - 5700K <sup>1</sup> 57H - 5700K, 80CRI <sup>1</sup> 65 - 6500K <sup>1</sup> 65H - 6500K, 80CRI <sup>1</sup>	WF - Wide Frosted (No optics)	GY - Grey Custom finishes are available. Please contact for details. <sup>1</sup>	HZ - Hazardous Location	AC - 120-277VAC DC - 22-28VDC

**ACCESSORIES (Order Separately)**

Sample Number: EXC-YM

ACCESSORY
EXC-YM - Yoke Mount <sup>2</sup>

**NOTES:**

1. Minimum order quantities, additional costs and lead times may apply.
2. Yoke mount is stainless steel.