

## KEY FEATURES

- IP68 - Fully encapsulated and suitable for permanent submersion (up to 25ft depth)
- Marine grade aluminum alloy housing with a triple layer powdercoated finish for optimized corrosion resistance
- Provided with standard glass or special order polycarbonate lens
- Approved for marine use, outside type (saltwater)
- 0-10v dimmable power supply (class 1 wiring)
- Thermally managed for maximum longevity
- -40°C to +60°C operating range
- Designed for harsh locations



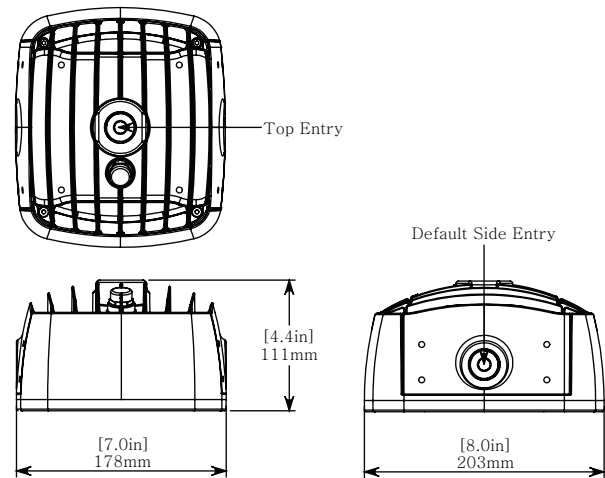
## TECHNICAL SPECIFICATIONS / MAXIMUM RATINGS

<b>HOUSING</b>	Copper-free high pressure die-cast aluminum housing, glass or polycarbonate protective lens, stainless steel fasteners
<b>MOUNTING</b>	SEE PAGE 3 FOR MOUNTING OPTIONS
<b>INPUT VOLTAGE</b>	<b>AC:</b> 120-277 VAC   <b>HV:</b> 347 VAC
<b>POWER (TYP)</b>	<b>JR2:</b> 18 W   <b>JR4:</b> 37 W
<b>CURRENT (TYP)</b>	<b>JR2:</b> AC 0.15A @ 120VAC   HV 0.07A @ 347VAC <b>JR4:</b> AC 0.32A @ 120VAC   HV 0.11A @ 347VAC
<b>CONNECTIONS</b>	Unless otherwise specified, luminaire supplied with 3.3 meter (10ft) 18/3 500W 9.3mm (0.365") diameter cord wired from side entry. 0-10V dimming is only possible if 18/5 500W 11.9mm (0.47") diameter cord is specified.*
<b>DIMMING</b>	0-10V Dimmable, Class 1 wiring   See CHART on Page 2
<b>TEMPERATURE RANGE</b>	-40°C to +60°C
<b>CERTIFICATIONS</b>	Conforms to: CSA C22.2 No. 250.0:21; CSA C22.2 No. 250.12:20; IEC 60529; UL 1598, UL1598A, UL 8750;
<b>INGRESS PROTECTION</b>	IP68 Fully encapsulated and suitable for permanent submersion (up to 25ft depth)
<b>COLOUR TEMP RANGE</b>	<b>50:</b> 5,000K   <b>Special Order:</b> 2,700-6,500K
<b>CRI VALUE (MIN)</b>	<b>50:</b> 70   Higher CRI options available for special order
<b>TOTAL LUMENS</b>	<b>JR2:</b> GWC - 2,299   <b>JR4:</b> GWC - 4,181
<b>LUMEN MAINTENANCE</b>	LM-80 > 100,000 hrs**
<b>WEIGHT</b>	3.28 kg   7.22 lbs

\*Contact us for alternative cord length, cord type, cord entry and cable gland selection.

\*\*The ambient temperature during lifetime, lumen and chromaticity determination is 25°C ± 1°C.

## DIMENSIONS

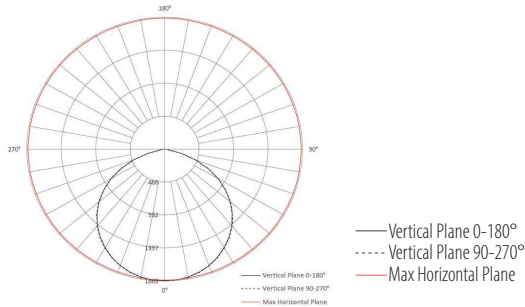


## WARRANTY

Five (5) year limited warranty to the original purchaser. The warranty covers defects in materials and workmanship under normal use and service.

For additional information see: <https://www.nemalux.com/legal>

## OPTIC OPTIONS

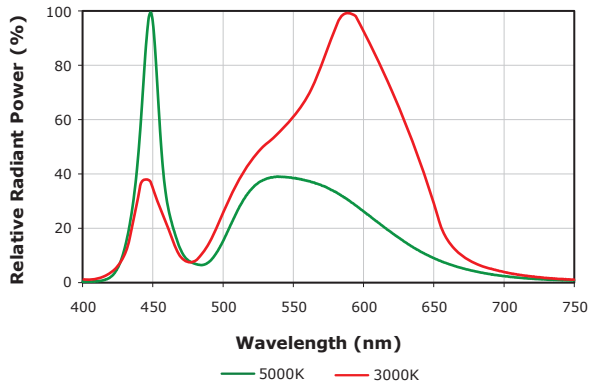


**GWC - Wide Beam (No Optics)**

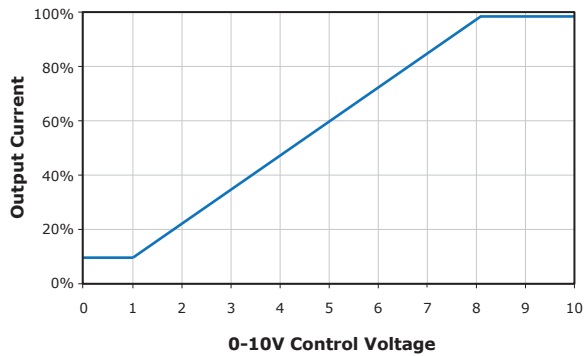
### AC MODELS (5000K CCT, minimum)

MODEL	LUMENS	WATTS	LUMENS/WATT
JR2	2,299	18	127
JR4	4,181	36	116

## PHOTOMETRICS



## OPTIONAL 0-10V DIMMING\*

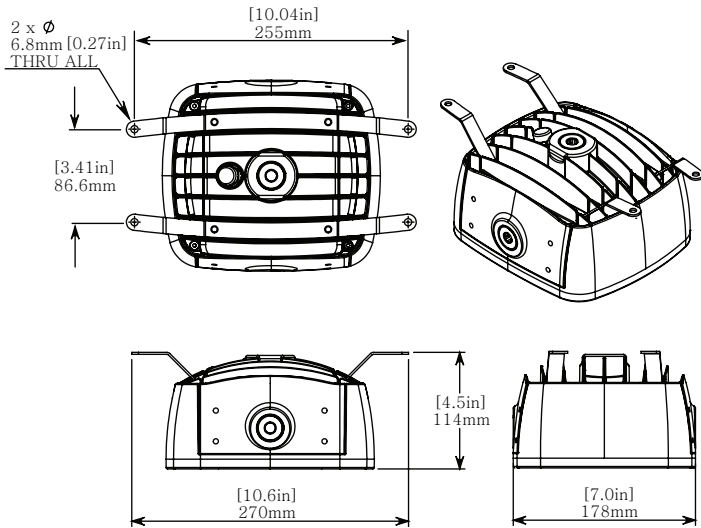


- Driver will source a maximum of 200uA for control needs
- Controller must sink current from the 0-10V control leads

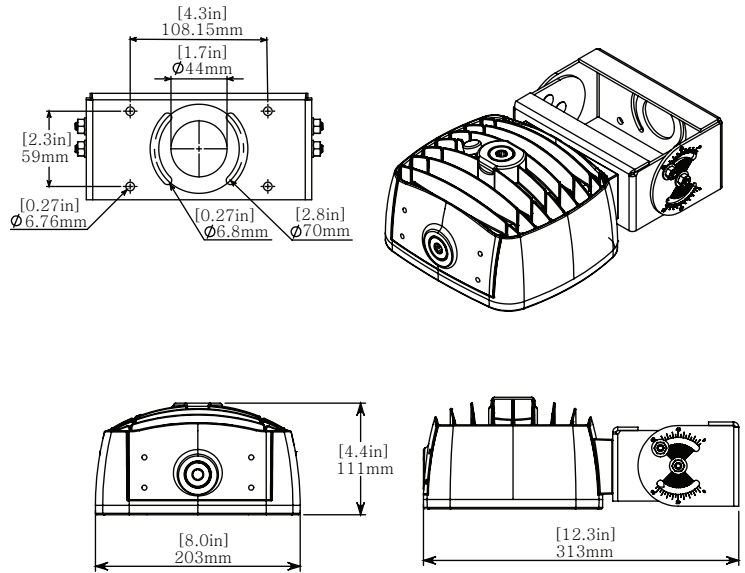
\*Contact us to specify dimming models and cord requirements

## MOUNTING OPTIONS (Order Separately)

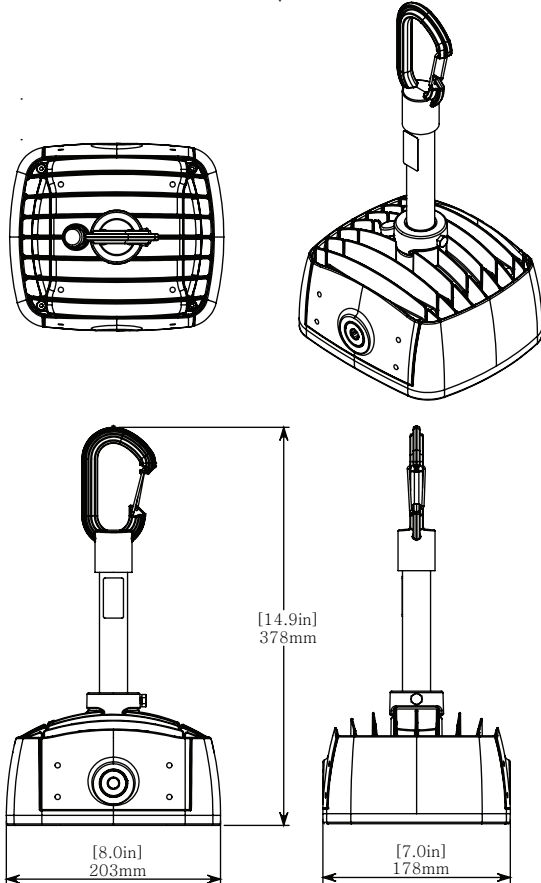
**SURFACE MOUNT (JR-SM) : 3.42 kg | 7.52 lbs | EPA: 0.03 m<sup>2</sup> / 0.34 ft<sup>2</sup>**



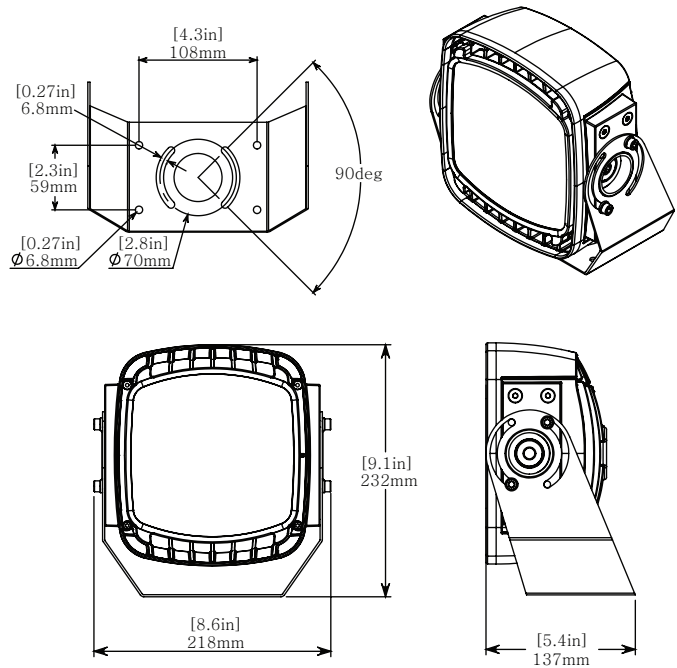
**YOKE MOUNT (JR-YM) : 5.08 kg | 11.18 lbs | EPA: 0.04 m<sup>2</sup> / 0.4 ft<sup>2</sup>**



**PENDANT HOOK MOUNT (JR-HK) : 4.21 kg | 9.26 lbs**



**HIGH VIBRATION YOKE MOUNT (JR-YK) : 4.30 kg | 9.46 lbs  
EPA: 0.03 m<sup>2</sup> / 0.36 ft<sup>2</sup>**



## ORDERING INFORMATION

PROJECT NAME		TYPE
PROJECT LOCATION		
COMMENT		DATE
PREPARED BY		

## MODEL SELECTOR

Sample Number: JR4-50-GWC-GY-EN-AC

MODEL	COLOUR	LENS   OPTIC	FINISH	LOCATION	POWER
-	-	-	GY -	EN -	
JR2 JR4	50 - 5,000K, 70CRI Special Order: 27 - 2,700K, 70CRI <sup>1</sup> 27H - 2,700K, 90CRI <sup>1</sup> 30 - 3,000K, 70CRI <sup>1</sup> 30H - 3,000K, 90CRI <sup>1</sup> 35 - 3,500K, 80CRI <sup>1</sup> 35H - 3,500K, 90CRI <sup>1</sup> 40 - 4,000K, 70CRI <sup>1</sup> 40H - 4,000K, 90CRI <sup>1</sup> 50H - 5,000K, 90CRI <sup>1</sup> 57 - 5,700K, 70CRI <sup>1</sup> 57H - 5,700K, 90CRI <sup>1</sup> 65 - 6,500K, 70CRI <sup>1</sup> 65H - 6,500K, 90CRI <sup>1</sup>	GWC - Wide Beam with Clear Glass Lens Special Order: WC - Wide Beam with Clear Polycarbonate Lens <sup>1</sup>	GY - Grey Custom finishes are available. Please contact for details. <sup>1</sup>	EN - Fully Encapsulated	AC - 120-277VAC (50/60Hz) HV - 347VAC (50/60Hz)

## ACCESSORIES (Order Separately)

Sample Number: JR-SM

ACCESSORY	FINISH
JR-SM - Surface/Suspended Mount <sup>2</sup> JR-HK - Pendant Hook Mount JR-YM - Yoke Mount <sup>2</sup> JR-YK - High Vibration Yoke Mount <sup>2</sup>	BLANK - Stainless Steel

### NOTES:

1. Minimum order quantities, additional costs and lead times may apply.
2. Only available in stainless steel finish.