

JR Series

2,000 – 5,000 LUMEN
MULTI-FUNCTIONAL &
COMPACT LED LUMINAIRE



Approved for use in general,
marine, & hazardous locations

Essentials

Input voltage options: 120-277 VAC or 347 VAC*

Ingress protection: IP66 / IP67 / IP68*

Ambient temperature range: -40°C to +60°C

Fixture weight: 2.58 kg | 5.68 lbs

Fixture dimensions: 8.0" x 7.0" x 4.4"
(excluding mounts)

* General & marine location only

Certifications

Certified for general & marine location use under:

- UL 1598, UL 1598A, UL 8750
- CSA C22.2 No. 250.0, CSA C22.2 No. 250.13

Certified for hazardous locations use under

- UL 844
- CSA C22.2 No. 137

Hazardous Location Ratings are:

- Class I, Division 2, Groups ABCD, T3
- Class II, Division 1 & Division 2, Groups FG, T3
- Class III, Division 1 & Division 2
- Class 1, Zone 2, Group IIC
- IEC 60529, C22.2

Warranty

- Five (5) year limited warranty

Features

- Compact and multi-functional luminaire for challenging applications
- Marine grade copper-free aluminum housing with multi-layer powder-coated finish
- Approved for through-wiring of multiple luminaires on a single circuit
- Available in two different lumen output models with several beam profiles
- Polycarbonate or glass lens with a clear or frosted finish
- 3x 3/4" NPT entries
- 0-10V dimmable

JR is a versatile, compact LED luminaire designed for industrial applications. It features lightweight, low-profile aluminum housing for easy installation and a high-efficiency optical design for improved illumination.



1-877-636-2589
1-877-NEMALUX

info@nemalux.com
www.nemalux.com



MADE IN CANADA

JR Series

Product Features

Thermal Management

- Unique design creates increased airflow for improved thermal management
- Physical separation of electronics for increased system reliability
- Perimeter band adds ruggedness and channels heat through fins with laminar flow principles

Housing

- Copper-free, high-pressure, die-cast aluminum case
- Marine grade aluminum alloy housing with a triple-layer powder-coated finish for optimized corrosion resistance.
- Thermal separation of LED and power supply increases the maximum ambient temperature range
- Polycarbonate or glass lens with a clear or frosted finish

Junction Box

- Direct heat transfer from power supply to external case for optimal performance
- 3 x 3/4" NPT entries
- IP66/67 rated
- IP68 variant*

** fully sealed with an optically clear encapsulant and not field serviceable*

Light Engine

- Metal core printed circuit board (MCPCB)
- Modular Optics

CREE & Samsung LEDs

- Proven reliability
- High efficiency
- Superior CRI
- Several CCT options

Power Supplies

- Built-in 6kV surge suppression
- THD value below 12%
- 0-10 V Dimmable
- Field replaceable



ENCAPSULATED (IP68)



OPTICS LENS



FLOODLIGHT



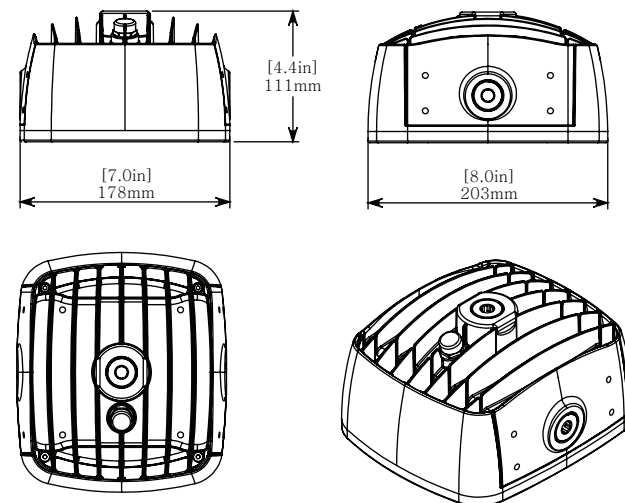
MODEL SELECTOR Example: JR4-50-GWC-GY-GN-AC

| Model | Colour | Optic | Finish | Location | Power |
|---|--------------------|--|--|-----------------------|--|
| JR2 JR4 | 50 - 5,000K, 70CRI | GWC - Wide Beam with Clear Glass Lens GT1 - Type 1 Beam Profile with Clear Glass Lens GT2 - Type 2 Beam Profile with Clear Glass Lens GT3 - Type 3 Beam Profile with Clear Glass Lens | GY - Grey | GN - General Location | AC - 120-277VAC HV - 347VAC |
| Additional options available. Please refer to spec sheet. | | Additional options available. Please refer to spec sheet. | Custom finishes available. Please contact for details. | | |

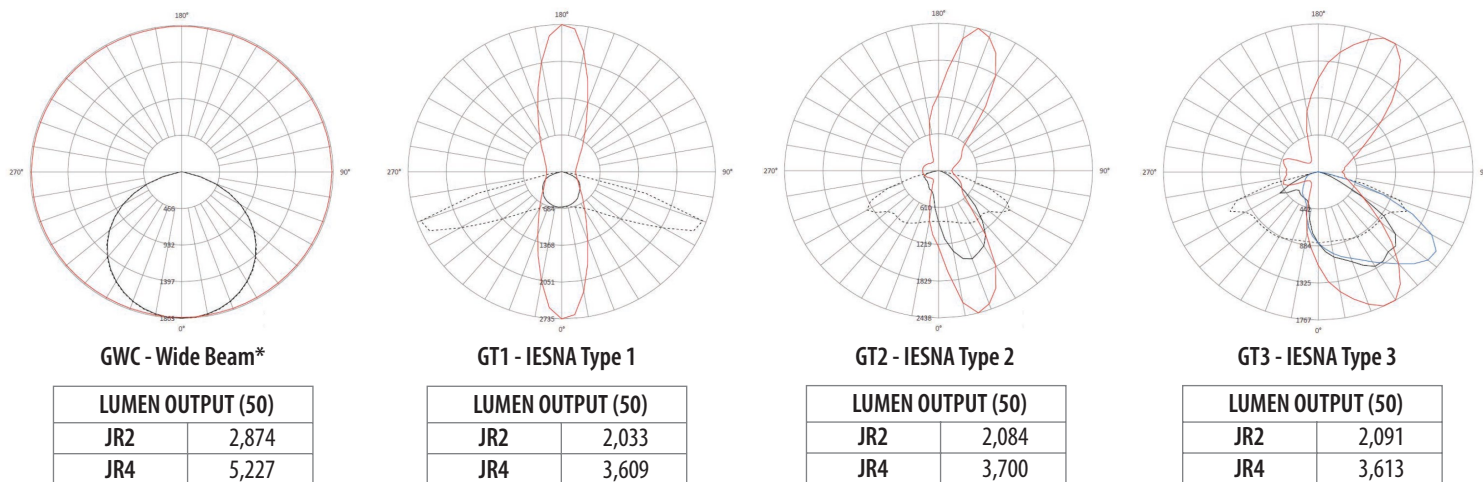
MOUNTING OPTIONS (Order Separately)

| ACCESSORY | FINISH |
|---|---|
| JR-SM - Surface/Suspended Mount JR-PM - Pole Mount JR-WM2 - Wall Mount 2 JR-HK - Pendant Hook Mount JR-SFY - Slip Fitter Yoke Mount JR-YM - Yoke Mount JR-YK - High Vibration Yoke Mount JR-CC - Conduit Rotation Lock Mount | GY - Grey Custom finishes available. Please contact for details. |

DIMENSIONS



OPTIC OPTIONS



Note: Standard offering above, alternate optical profiles available upon request. Contact Nemalux Sales representative for further details. Minimum order quantities, additional costs and lead times may be applicable. *IP68 encapsulated variant only

— Vertical Plane 0-180°
 - - - - Vertical Plane 90-270°
 — Max Horizontal Plane

MOUNTS

