



### KEY FEATURES

- Compact and multi-functional luminaire for challenging applications
- Thermal separation of LED and power supply allows max ambient temperatures of up to +60°C
- Marine grade copper-free aluminum housing with multi-layer powder coated finish
- Approved for through-wiring of multiple luminaires on a single circuit
- Available in two lumen output models with several beam profiles
- Polycarbonate\* or glass lens with a clear or frosted finish
- 3x 3/4" NPT entries
- 0-10V dimmable



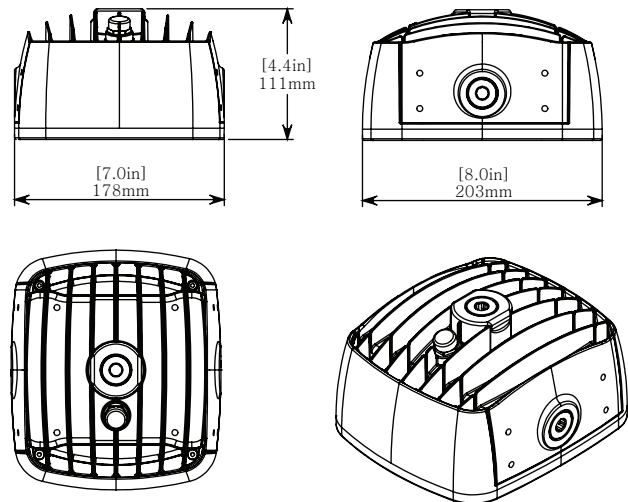
### TECHNICAL SPECIFICATIONS / MAXIMUM RATINGS

<b>HOUSING</b>	Copper-free high pressure die-cast aluminum housing, glass or polycarbonate* protective lens, stainless steel fasteners
<b>MOUNTING</b>	SEE PAGE 3 & 4 FOR MOUNTING OPTIONS
<b>INPUT VOLTAGE</b>	<b>AC:</b> 120-277 VAC   <b>HV:</b> 347 VAC (50/60Hz)
<b>POWER (TYP)</b>	<b>JR2:</b> 18 W   <b>JR4:</b> 37 W
<b>CURRENT (TYP)</b>	<b>JR2:</b> AC 0.15A @ 120VAC   HV 0.07A @ 347VAC <b>JR4:</b> AC 0.32A @ 120VAC   HV 0.11A @ 347VAC
<b>CONNECTIONS</b>	3 x 3/4" NPT Entries
<b>DIMMING</b>	0-10V Dimmable, Class 1 wiring   See CHART on Page 2
<b>TEMPERATURE RANGE</b>	-40°C to +60°C
<b>CERTIFICATIONS</b>	Conforms to: CSA C22.2 No. 250.0:21; CSA C22.2 No. 250.12:20; IEC 60529; UL 1598; UL 1598A; UL 8750
<b>INGRESS PROTECTION</b>	IP66/67 Suitable for wet locations Marine Outside type (Salt Water)
<b>COLOUR TEMP RANGE</b>	<b>50:</b> 5,000K   <b>Special Order:</b> 2,700-6,500K
<b>CRI VALUE (MIN)</b>	<b>50:</b> 70   Higher CRI options available for special order
<b>TOTAL LUMENS</b>	<b>JR2:</b> GWC - 2,874   <b>JR4:</b> GWC - 5,227
<b>LUMEN MAINTENANCE</b>	LM-80 > 100,000 hrs*
<b>WEIGHT</b>	2.58 kg   5.68 lbs

\*Models with a polycarbonate lens are not approved for Class II Division 1 use

\*\*The ambient temperature during lifetime, lumen and chromaticity determination is 25°C ± 1°C

### DIMENSIONS

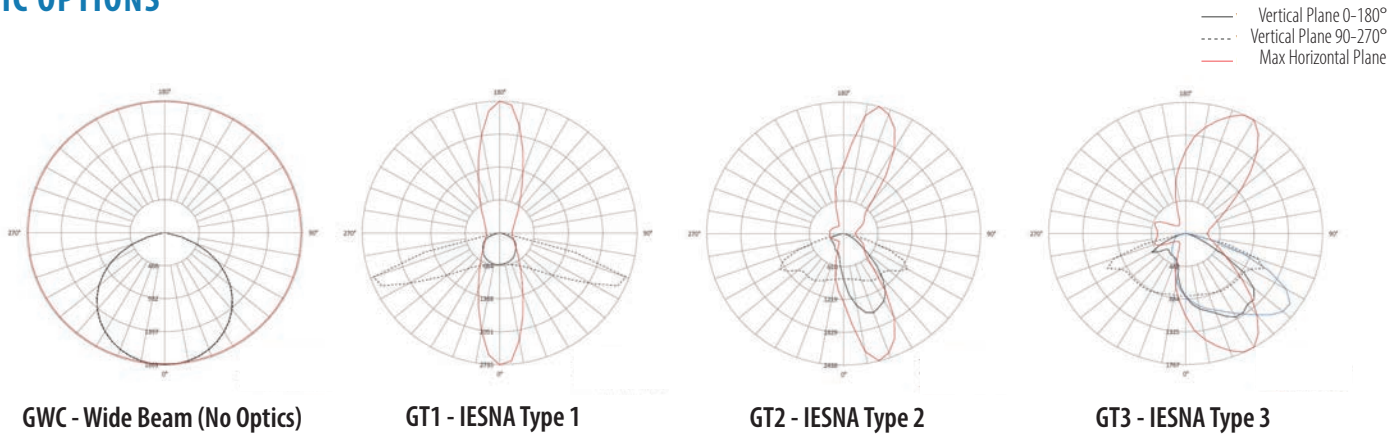


### WARRANTY

Five (5) year limited warranty to the original purchaser. The warranty covers defects in materials and workmanship under normal use and service.

For additional information see: <https://www.nemalux.com/legal>

### OPTIC OPTIONS



#### AC MODELS (5000K CCT, minimum)

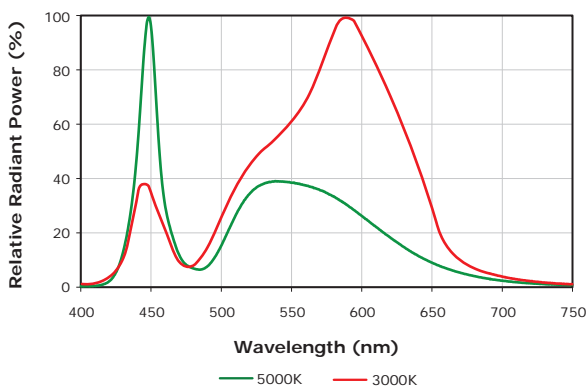
MODEL	LUMENS	WATTS	LUMENS/WATT	MODEL	LUMENS	WATTS	LUMENS/WATT	MODEL	LUMENS	WATTS	LUMENS/WATT	MODEL	LUMENS	WATTS	LUMENS/WATT
JR2	2,874	18	162	JR2	2,033	19	107	JR2	2,084	19	110	JR2	2,091	19	110
JR4	5,227	36	144	JR4	3,609	38	95	JR4	3,700	38	97	JR4	3,613	37	95

#### HV MODELS (5000K CCT, minimum)

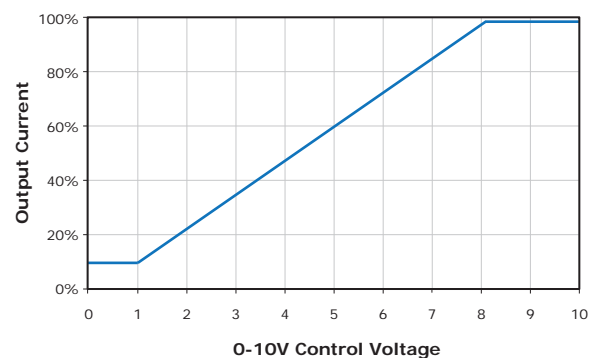
MODEL	LUMENS	WATTS	LUMENS/WATT	MODEL	LUMENS	WATTS	LUMENS/WATT	MODEL	LUMENS	WATTS	LUMENS/WATT	MODEL	LUMENS	WATTS	LUMENS/WATT
JR2	3,218	23	139	JR2	2,033	23	99	JR2	2,334	23	101	JR2	2,341	23	101
JR4	5,227	38	136	JR4	3,609	38	95	JR4	3,700	38	97	JR4	3,613	38	95

*Note: Standard offering above, alternate optical profiles available upon request. Contact Nemalux Sales representative for further details. Minimum order quantities, additional costs and lead times may be applicable.*

### PHOTOMETRICS



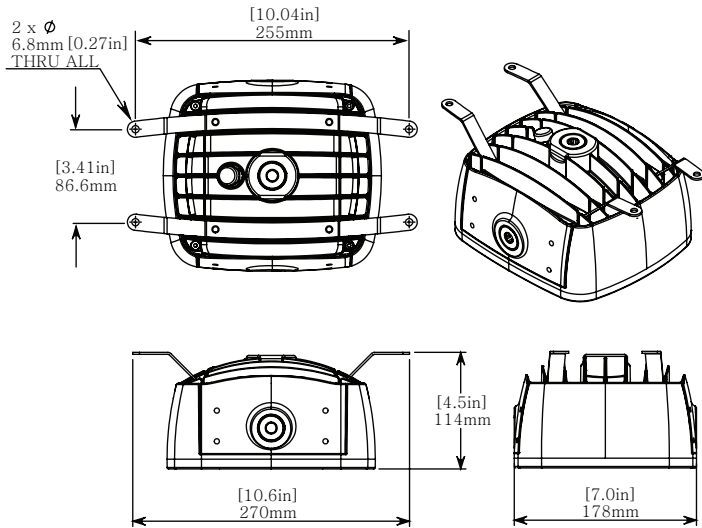
### DIMMING



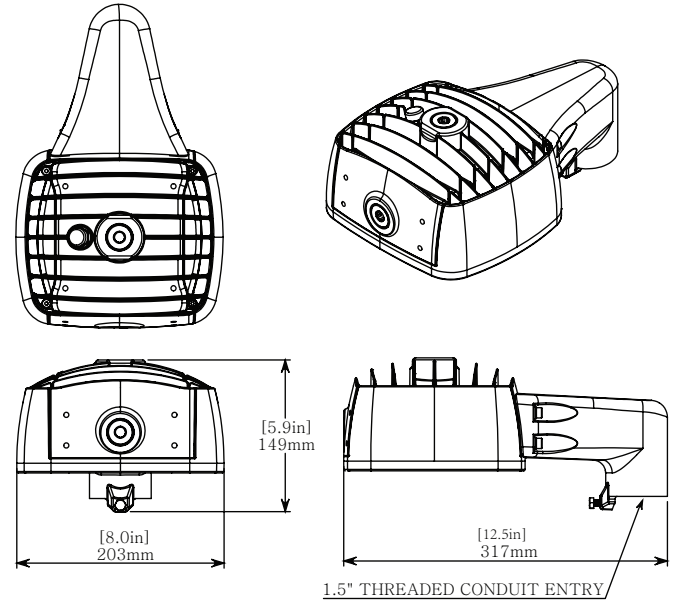
- Driver will source a maximum of 200uA for control needs
- Controller must sink current from the 0-10V control leads

## MOUNTING OPTIONS (Order Separately)

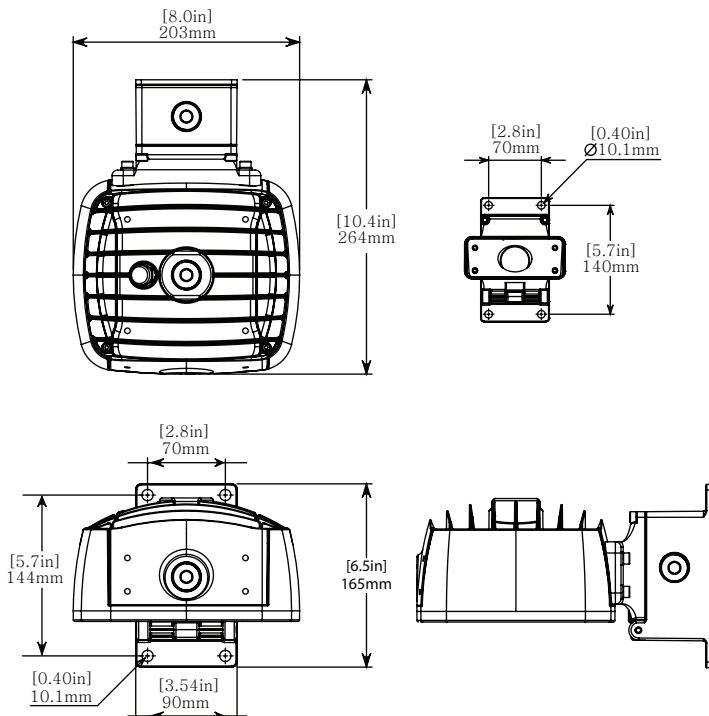
**SURFACE MOUNT (JR-SM) : 2.72 kg | 5.98 lbs | EPA: 0.03m<sup>2</sup> / 0.34ft<sup>2</sup>**



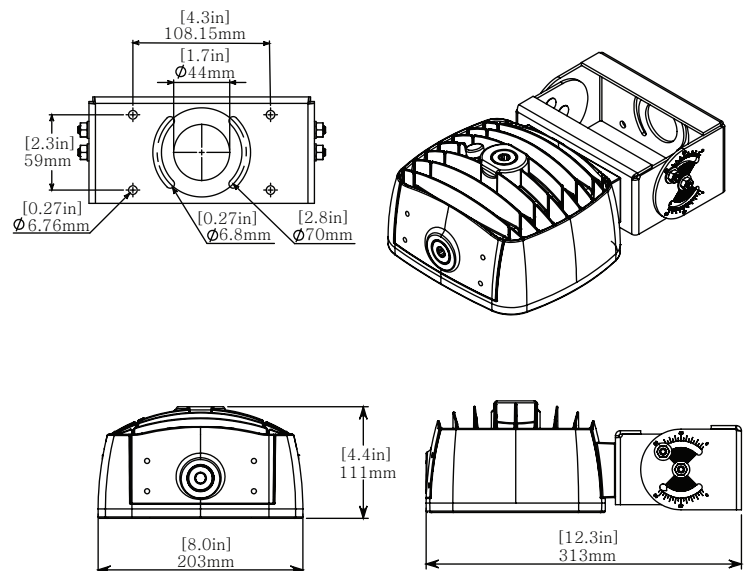
**POLE MOUNT (JR-PM) : 3.51 kg | 7.72 lbs | EPA: 0.04 m<sup>2</sup> / 0.44ft<sup>2</sup>**



**WALL MOUNT 2 (JR-WM2) : 3.78 kg | 8.18 lbs | EPA: 0.04 m<sup>2</sup> / 0.39ft<sup>2</sup>**

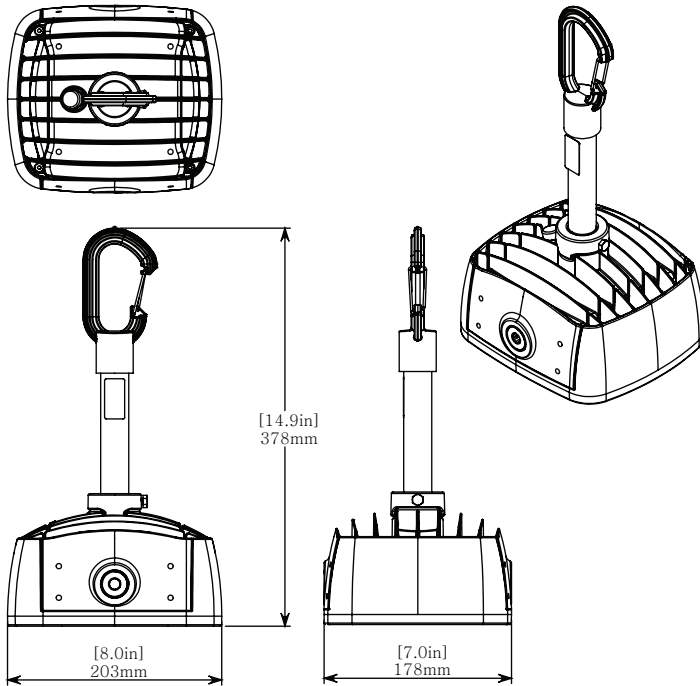


**YOKE MOUNT (JR-YM) : 4.38 kg | 9.64lbs | EPA: 0.04 m<sup>2</sup> / 0.4ft<sup>2</sup>**

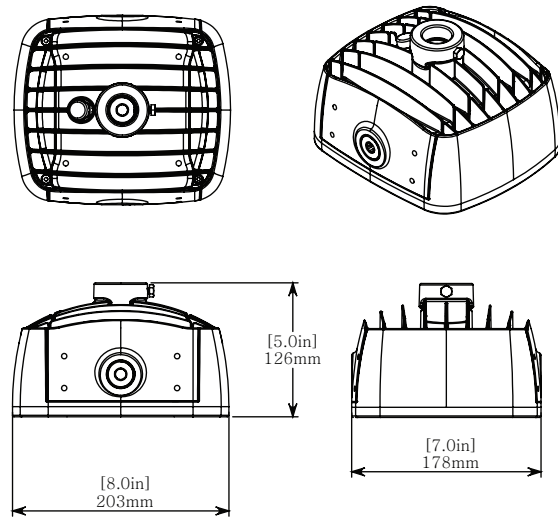


## MOUNTING OPTIONS (Order Separately)

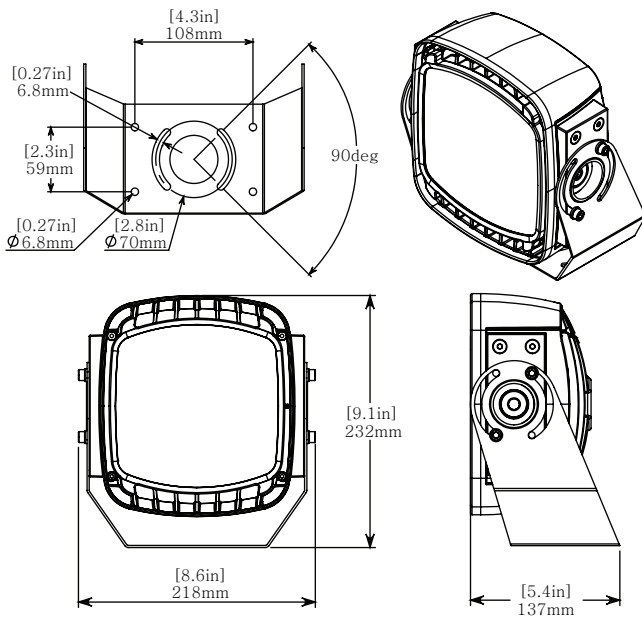
**PENDANT HOOK MOUNT (JR-HK) : 3.51 kg | 7.72 lbs**



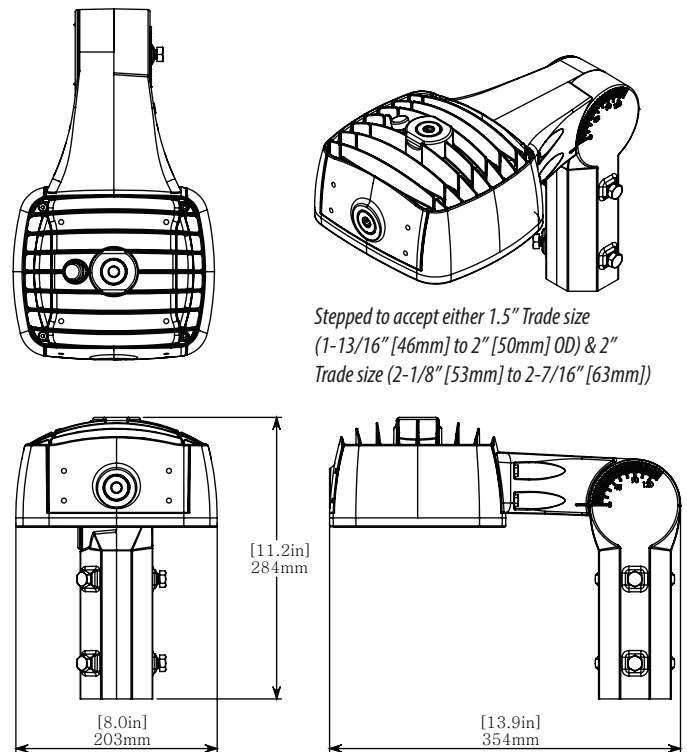
**CONDUIT ROTATION LOCK MOUNT (JR-CC) : 2.61 kg | 5.74 lbs**



**HIGH VIBRATION YOKE MOUNT (JR-YK) : 3.6 kg | 7.92 lbs**  
EPA: 0.03 m<sup>2</sup> / 0.36ft<sup>2</sup>



**SLIP FITTER YOKE MOUNT (JR-SFY) : 4.43 kg | 9.75 lbs | EPA: 0.06 m<sup>2</sup> / 0.6ft<sup>2</sup>**



### ORDERING INFORMATION

PROJECT NAME		TYPE
PROJECT LOCATION		
COMMENT		DATE
PREPARED BY		

### MODEL SELECTOR

Sample Number: JR4-50-GWC-GY-GN-AC

MODEL	COLOUR	LENS   OPTIC	FINISH	LOCATION	POWER
-	-	-	GY -	GN -	AC
<b>JR2</b> <b>JR4</b>	<b>50</b> - 5,000K, 70CRI  Special Order: <b>27</b> - 2,700K, 70CRI <sup>1</sup> <b>27H</b> - 2,700K, 90CRI <sup>1</sup> <b>30</b> - 3,000K, 70CRI <sup>1</sup> <b>30H</b> - 3,000K, 90CRI <sup>1</sup> <b>35</b> - 3,500K, 80CRI <sup>1</sup> <b>35H</b> - 3,500K, 90CRI <sup>1</sup> <b>40</b> - 4,000K, 70CRI <sup>1</sup> <b>40H</b> - 4,000K, 90CRI <sup>1</sup> <b>50H</b> - 5,000K, 90CRI <sup>1</sup> <b>57</b> - 5,700K, 70CRI <sup>1</sup> <b>57H</b> - 5,700K, 90CRI <sup>1</sup> <b>65</b> - 6,500K, 70CRI <sup>1</sup> <b>65H</b> - 6,500K, 90CRI <sup>1</sup>	<b>GWC</b> - Wide Beam with Clear Glass Lens  Special Order: <b>GT1</b> - Type 1 Beam Profile with Clear Glass Lens <b>GT2</b> - Type 2 Beam Profile with Clear Glass Lens <b>GT3</b> - Type 3 Beam Profile with Clear Glass Lens <b>GT4</b> - Type 4 Beam Profile with Clear Glass Lens <sup>1</sup> <b>GVSM</b> - Type 5 Square Beam Profile with Clear Glass Lens <sup>1</sup> <b>GS</b> - Spot 18° Beam Profile with Clear Glass Lens <sup>1</sup> <b>GT</b> - Tight 32° Beam Profile with Clear Glass Lens <sup>1</sup> <b>GM</b> - Medium 50° Beam Profile with Clear Glass Lens <sup>1</sup>  <b>WC</b> - Wide Beam with Clear Polycarbonate Lens <sup>1</sup> <b>T1</b> - Type 1 Beam Profile with Clear Polycarbonate Lens <sup>1</sup> <b>T2</b> - Type 2 Beam Profile with Clear Polycarbonate Lens <sup>1</sup> <b>T3</b> - Type 3 Beam Profile with Clear Polycarbonate Lens <sup>1</sup> <b>T4</b> - Type 4 Beam Profile with Clear Polycarbonate Lens <sup>1</sup> <b>VSM</b> - Type 5 Square Beam Profile with Clear Polycarbonate Lens <sup>1</sup> <b>M</b> - Medium 50° Beam Profile with Clear Polycarbonate Lens <sup>1</sup> <b>S</b> - Spot 18° Beam Profile with Clear Polycarbonate Lens <sup>1</sup> <b>T</b> - Tight 32° Beam Profile with Clear Polycarbonate Lens <sup>1</sup> <b>M</b> - Medium 50° Beam Profile with Clear Polycarbonate Lens <sup>1</sup>  <b>FXXX</b> - F in first position denotes a Frosted Polycarbonate Lens <b>GFXXX</b> - The G may be followed by an F, denoting a Frosted Glass Lens	<b>GY</b> - Grey  Custom finishes are available. Please contact for details. <sup>1</sup>	<b>GN</b> - General Location	<b>AC</b> - 120-277VAC (50/60Hz) <b>HV</b> - 347VAC (50/60Hz)

### ACCESSORIES (Order Separately)

Sample Number: JR-SM

ACCESSORY	FINISH
-	-
<b>JR-SM</b> - Surface/Suspended Mount <sup>2</sup> <b>JR-PM</b> - Pole Mount <b>JR-WM2</b> - Wall Mount 2 <b>JR-HK</b> - Pendant Hook Mount <b>JR-YM</b> - Yoke Mount <sup>2</sup> <b>JR-YK</b> - High Vibration Yoke Mount <sup>2</sup> <b>JR-CC</b> - Conduit Rotation Lock Mount <b>JR-SFY</b> - Slip Fitter Yoke Mount	<b>GY</b> - Grey  Custom finishes are available. Please contact for details. <sup>1</sup>

#### NOTES:

1. Minimum order quantities, additional costs and lead times may apply.
2. Only available in stainless steel finish.