

## KEY FEATURES



- IP68 - Fully encapsulated and suitable for permanent submersion (up to 25ft depth)
- Triple layer coating to weather extreme environments
- Optional 0-10v dimming available (class 1 wiring)
- UL marine approval, outside type (saltwater)
- Thermally managed for maximum longevity
- -40°C to +55°C operating range
- Designed for harsh locations



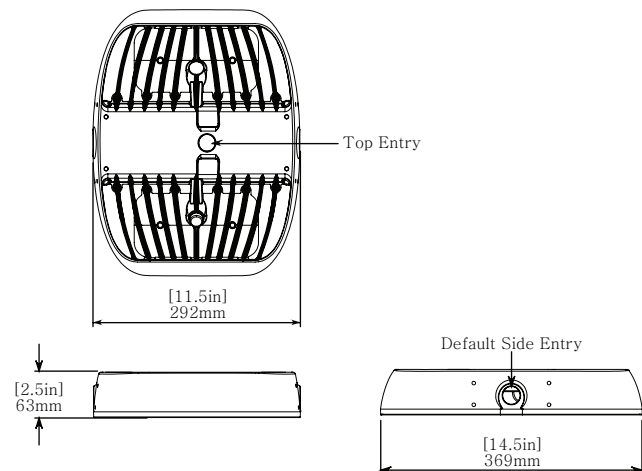
## TECHNICAL SPECIFICATIONS / MAXIMUM RATINGS

<b>HOUSING</b>	Copper Free Aluminum and Polycarbonate Lens
<b>MOUNTING</b>	See Page 3 for MOUNTING OPTIONS
<b>INPUT VOLTAGE</b>	<b>AC:</b> 120-277VAC (50/60 Hz) <b>HV:</b> 347VAC±10%VAC (50/60 Hz)
<b>POWER (TYP)</b>	<b>MR6:</b> AC - 30W   HV - 35W <b>MR6:</b> AC - 60W   HV - 69W
<b>CURRENT (TYP)</b>	<b>MR3:</b> AC - 0.25A@120 VAC   HV - 0.10A@347 VAC <b>MR6:</b> AC - 0.50A@120 VAC   HV - 0.20A@347 VAC
<b>CONNECTIONS</b>	Unless otherwise specified, luminaire supplied with 3.3 meter (10ft) 18/3 S00W 9.3mm (0.365") diameter cord wired from side entry. 0-10V dimming is only possible if 18/5 S00W 11.9mm (0.47") diameter cord is specified.*
<b>DIMMING</b>	0-10V Dimmable, Class 1 Wiring   See CHART on Page 2
<b>TEMPERATURE RANGE</b>	-40°C to +55°C (Case ~20°C above ambient)**
<b>CERTIFICATIONS</b>	Certified to UL 1598, UL 1598A & UL 8750; CSA C22.2 No. 250.0, CSA C22.2 No. 250.13
<b>INGRESS PROTECTION</b>	IP68 - Fully encapsulated and suitable for permanent submersion (up to 25ft depth)
<b>COLOUR TEMP RANGE</b>	<b>50:</b> 5000K   <b>Special Order:</b> 2700-6500K See Page 4 for DETAILS
<b>CRI VALUE (MIN)</b>	<b>50:</b> 70
<b>TOTAL LUMENS</b>	See Page 2 for DETAILS
<b>LUMEN MAINTENANCE</b>	LM-80 > 60,000 hrs
<b>WEIGHT</b>	6 kg   13.2 lbs

\*Contact us for alternative cord length, cord type, cord entry and cable gland selection.

\*\*The ambient temperature during lifetime, lumen and chromaticity determination is 25°C ± 1°C.

## DIMENSIONS

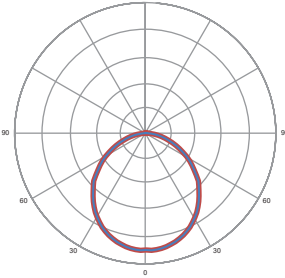


## WARRANTY

Five (5) year limited warranty to the original purchaser. The warranty covers defects in materials and workmanship under normal use and service.

For additional information see: <https://nemalux.com/legal>

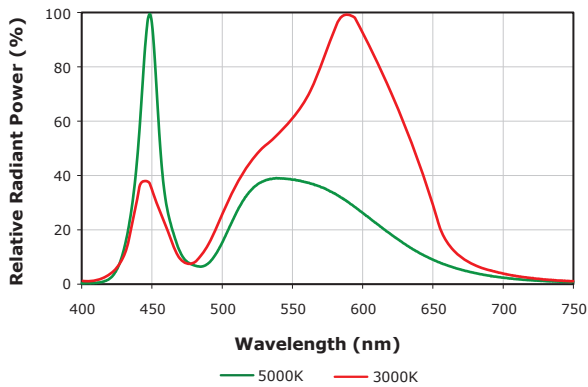
### OPTIC OPTIONS



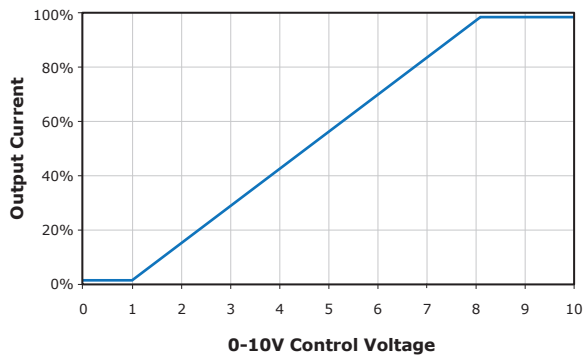
WF - Wide Beam (No Optic)

LUMEN OUTPUT (50)	
MR3	2700
MR6	5025

### PHOTOMETRICS



### OPTIONAL 0-10V DIMMING\*

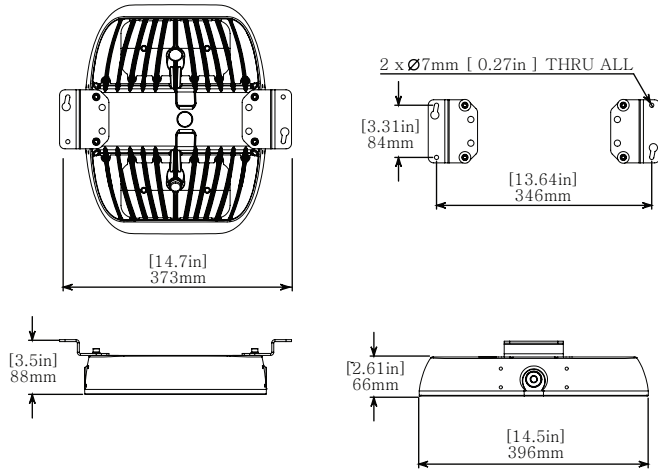


- Driver will source a maximum of 200uA for control needs
- Controller must sink current from the 0-10V control leads

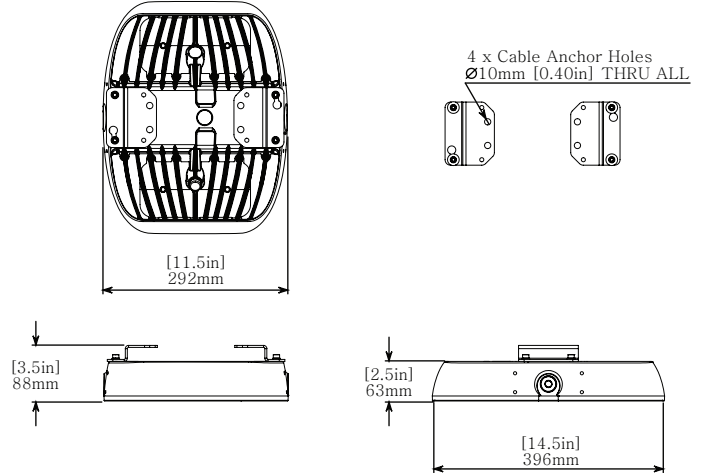
\*Contact us to specify dimming models and cord requirements

## MOUNTING OPTIONS (Order Separately)

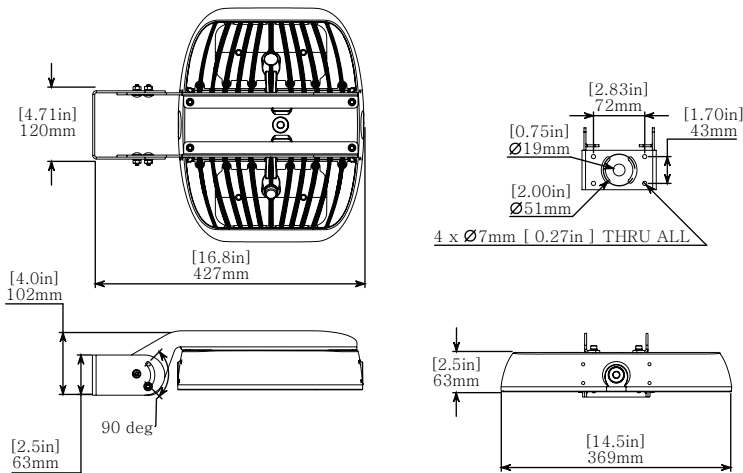
**SURFACE MOUNT (MR-SM) : 6.7 kg | 14.5 lbs**



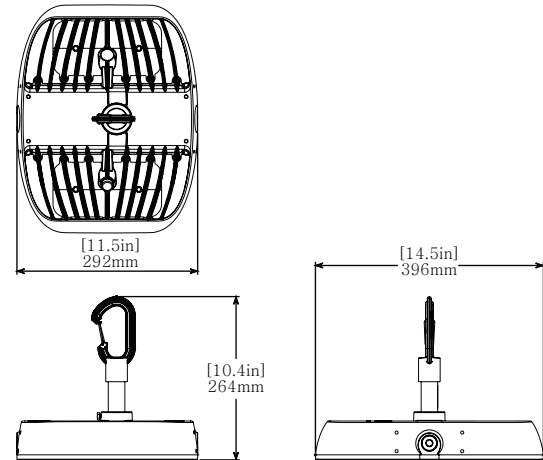
**SUSPENDED MOUNT (MR-SM) : 6.7 kg | 14.5 lbs**



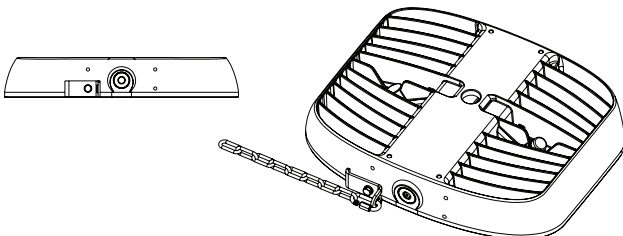
**YOKE MOUNT (MR-YM) : 7.6 kg | 16.8 lbs | EPA: 0.12 m<sup>2</sup> / 1.29 ft<sup>2</sup>**



**HOOK PENDANT MOUNT (MR-HK-GY) : 6.4 kg | 14.1 lbs**



**SECONDARY SAFETY (MR-SK-##)**



## ORDERING INFORMATION

PROJECT NAME		TYPE
PROJECT LOCATION		
COMMENT		DATE
PREPARED BY		

## MODEL SELECTOR

Sample Number: MR6-50-WF-GY-EN-AC

MODEL	COLOUR	OPTIC	FINISH	LOCATION	POWER
-	-	GY -	GY -	EN -	
<b>MR3</b> <b>MR6</b>	<b>50</b> - 5000K  Special Order: <b>27</b> - 2700K <sup>1,3</sup> <b>30</b> - 3000K <sup>1,3</sup> <b>35</b> - 3500K <sup>1</sup> <b>40</b> - 4000K <sup>1</sup> <b>45</b> - 4500K <sup>1</sup> <b>57</b> - 5700K <sup>1</sup>	<b>WF</b> - Wide Beam (No optics)	<b>GY</b> - Grey  Custom finishes are available. Please contact for details. <sup>1</sup>	<b>EN</b> - Fully Encapsulated	<b>AC</b> - 120-277VAC <b>HV</b> - 347VAC

## ACCESSORIES (Order Separately)

Sample Number: MR-HK-GY

ACCESSORY	FINISH
-	
<b>MR-SM</b> - Surface Mount <sup>2,3</sup> <b>MR-HK</b> - Hook Pendant Mount <sup>3</sup> <b>MR-YM</b> - Yoke Mount <sup>2</sup> <b>MR-SK-##</b> - Secondary Safety <sup>2,4</sup>	<b>GY</b> - Grey  Custom finishes available. Please contact for details. <sup>1</sup>

### NOTES:

1. Minimum order quantities, additional costs and lead times may apply.
2. Only available in stainless steel finish.
3. IDA fixture seal of approval only applies to fixtures with a CCT of 3000K or less, and have fixed mounts aiming the fixture perpendicular to the ground.
4. ## represents the safety chain length in feet (i.e. 05=5', 10=10'). Secondary Safety Kit contains bracket, stainless steel chain (1/8 trade size), and two stainless steel oval threaded connecting links.