



## APPLICATION

XCANLEDAC luminaires are designed for use in hazardous locations, indoors, outdoors, wet location, and areas containing moisture, dirt, corrosion, vibration, and rough usage. As defined by the National Electrical Code (NEC) and the Canadian Electrical Code (CEC), they are suitable for use in the following areas:

Certified to: CSA 22.2 No. 250.0, Conforms To UL 1598 Standard

Hazardous Location Zone Approvals:  
Class I, Division 2, Groups ABCD,T3

Housing: Copper-free 6061-T6 Aluminium and Acrylic lens

Mounting: Two (2) 1/4-20 Screws or Bolts

Voltage: VAC: 100-240 VAC, 50/60 Hz

Current (Max): 0.4A @ 120 VAC

Connections: 6' Flying Lead | Black: Line | White: Neutral/Line 2 | Green: Ground

Temperature Range: -40° C to +45° C

Ingress Protection: IP66

**WARNING**

To avoid the risk of fire, explosion, or electric shock, this product should be installed, inspected, and maintained by a qualified electrician only, in accordance with all applicable electrical codes.

**WARNING**

To avoid electric shock:

- Be certain electrical power is OFF before and during installation and maintenance.
- Luminaire must be connected to a wiring system with an equipment-grounding conductor.

**WARNING POTENTIAL ELECTROSTATIC CHARGING HAZARD**

Avoid electrostatic discharge:

- Clean exterior lens surface with damp cloth only

## INSTALLATION

### STEP 1:

Inspect shipping package and contents to ensure no damage has occurred during shipping.

### STEP 2:

Loosen each bracket 1/4-20 yoke hex bolt two (2) slightly to allow some free movement. Be sure not to loosen too much that they disengage from the XCANLEDAC body. This will allow for easier installation and aiming.

### STEP 3:

Mount fixture to desired location with two (2) 1/4-20 screws or bolts.

\*See mounting dimensions for installations with fixed studs if desired.

### STEP 4:

Adjust fixture to desired angle and tighten bracket 1/4-20 yoke bolts.

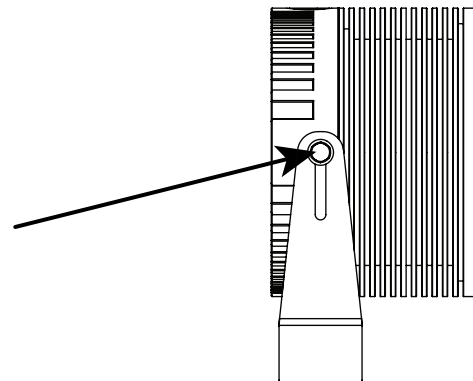
### STEP 5:

Connect fixture flying lead to 120-240 VAC power source in accordance with all applicable electrical codes.



Black: Line | White: Neutral/Line 2 | Green: Ground

### STEP 6:



## Mounting Dimensions

