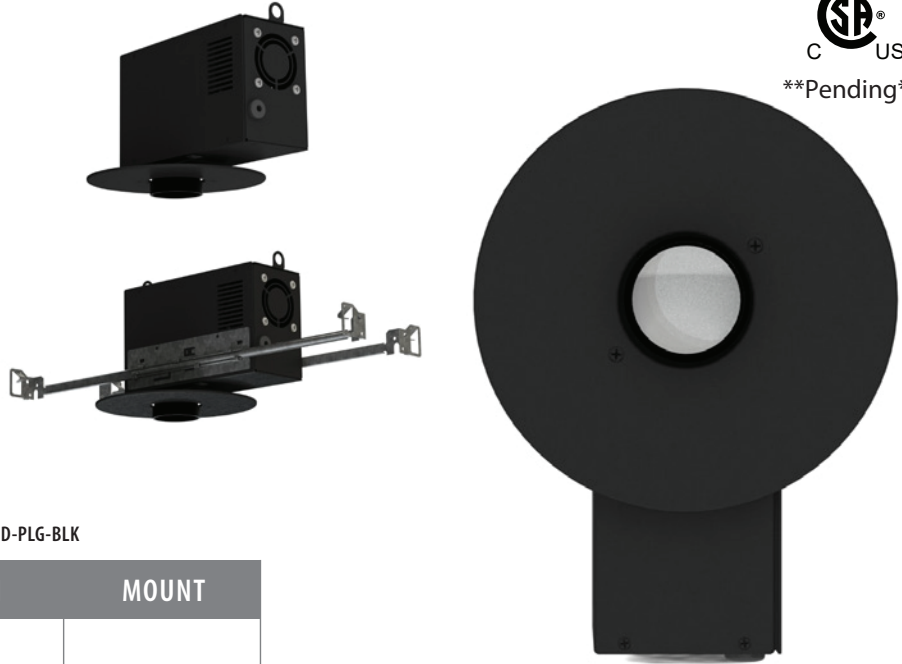


KEY FEATURES

- Specifically designed for Wayfinding and image projection
- 900 lux at 9' mounting height
- Removable Gobo image holder can be accessed without removing fixture.
- Actively Cooled for maximum longevity
- Lifespan up to 50,000 hours typical
- Integrated On-Off Switch



MODEL NUMBER SELECTOR

Example: GOBOLED-PLG-BLK

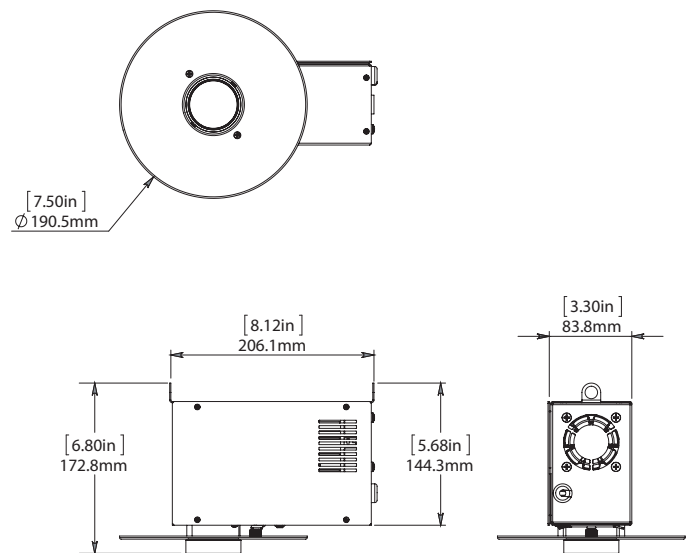
MODEL	CONNECTION	FINISH	MOUNT
GOBOLED			
	PLG - 120 V Plug FLY - 6' Flying Lead	BLK -Black Flange WHT -White Flange CUS -Custom <i>Contact for custom colour</i>	REG -Regular TBR -T-Bar Brackets

TECHNICAL SPECIFICATIONS / MAXIMUM RATINGS

HOUSING	Powder coated Aluminum Case and Flange
MOUNTING	Suspension cables and/or Gravity placement
TYPICAL INPUT VOLTAGE	90-130 VAC
POWER	29 W
CONNECTIONS	6 Ft Flying Lead (Custom Lengths Available) or Plug
TEMPERATURE RANGE	-40° C to +55° C
TYPICAL CASE TEMPERATURE	~5° C Above Ambient Temperature
CERTIFICATIONS	**Pending**
INGRESS PROTECTION	Dry locations only
COLOUR TEMP RANGE	4000K
CRI VALUE	80
PROJECTED LIGHT LEVEL	900 lux @ 9'
LUMEN MAINTENANCE	LM-80 > 60,500 hrs (Based on CREE long term testing)
WEIGHT	3.2 lb 1.5 kg

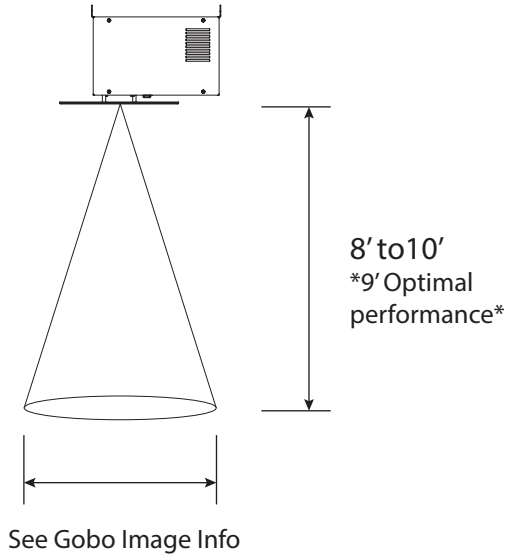
* The ambient temperature during lifetime, lumen and chromaticity determination is 25° C ± 1° C

DIMENSIONS



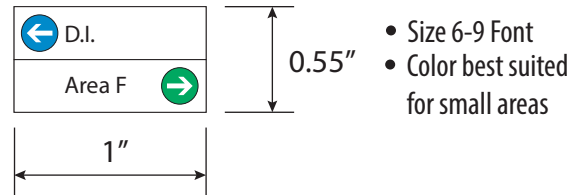
OPTIC DESIGN

PROJECTION DISTANCE

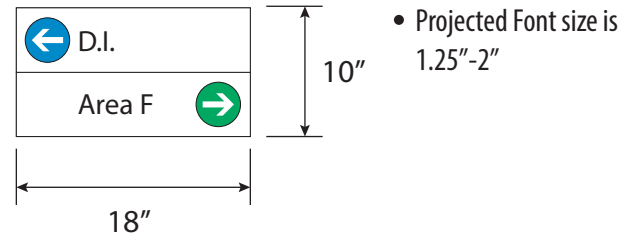


GOBO IMAGE INFO

Printed Color Transparency Image

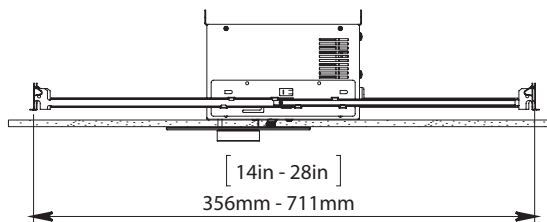


Projected image size @ 9'

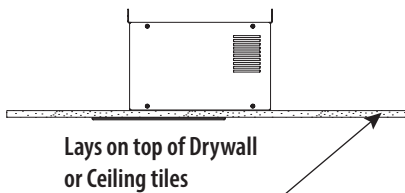


MOUNTING OPTIONS

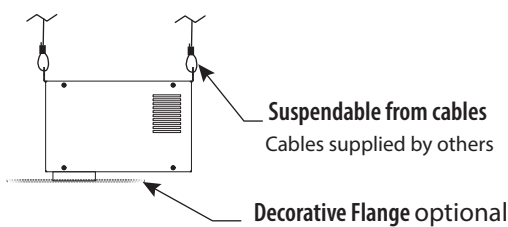
T-BAR MOUNT (TBR)



GRAVITY/SURFACE MOUNT (REG)

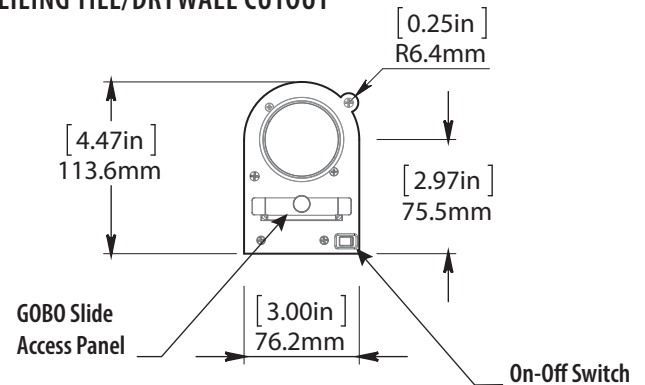


CABLE SUSPENSION (REG)



INSTALLATION INFO

CEILING TILE/DRYWALL CUTOUT



GOBO SLIDE INSTALL

