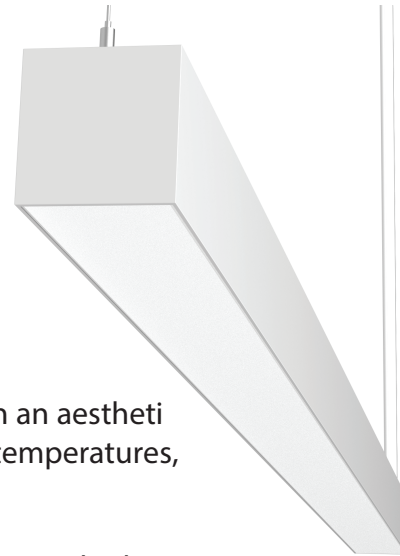




KEY FEATURES

- Suspended Aircraft Cable Mounting
- Up to 750 Lumens Per Foot HO
- Up to 450 Lumens Per Foot SO
- Up to 100+ Lumens Per Watt
- Daylight and Motion Sensor Options*
- 5 Year Limited Warranty
- 0-10V Dimming Standard
- Integral Battery Backup*



Lumenova Design architectural series is a high efficacy fixture in an aesthetically pleasing form factor. Designed to provide multiple colour temperatures, finish options and controls for a variety of applications.

The suspended direct series includes an adjustable cable mount, high or standard output, with a flush or recessed lens.

MODEL SELECTOR

Sample Number: KH-PDF-SO-30-C-2-WHT-MV

TYPE	MODEL	LED OUTPUT	CCT	MOUNTING	LENGTH	FINISH	VOLTS
KH -	-	-	-	-	-	-	AC
KH	PDF- Suspended/ Direct/Flush Lens PDR- Suspended/ Direct/Recessed Lens	SO- Standard Output HO- High Output	30- 3000K 35- 3500K 40- 4000K	C- 50" Aircraft Cable S- 48" Swivel Stem	2'- 2' 3'- 3' 4'- 4' 6'- 6' 8'- 8'	WHT- White RAL - RAL (Specify #)	AC- 100-277VAC

OPTIONS (Order Separately)

Sample Number: KH-JC

TYPE	OPTIONS
KH -	-
KH	JC - Joiner Kit, Center Section ¹ JE - Joiner Kit, End Section ¹ LCLR - Lit Corener Section, Left/Right 90 ² LTE - Lutron Hi-Lume Driver ³ LTD - Lutron EcoSystem 3 Wire Driver

NOTES:

* Please contact your Lumenova Design representative for more details.

1. In lieu of standard end caps to join fixtures in continuous rows.
2. Illuminated corners available. See separate sheet.
3. For use with remote mount Lutron Daylight/Motion sensors. Driver is compatible with 0-10V dimming systems.
4. Aircraft cable includes cables, canopies and power feed.

WARRANTY

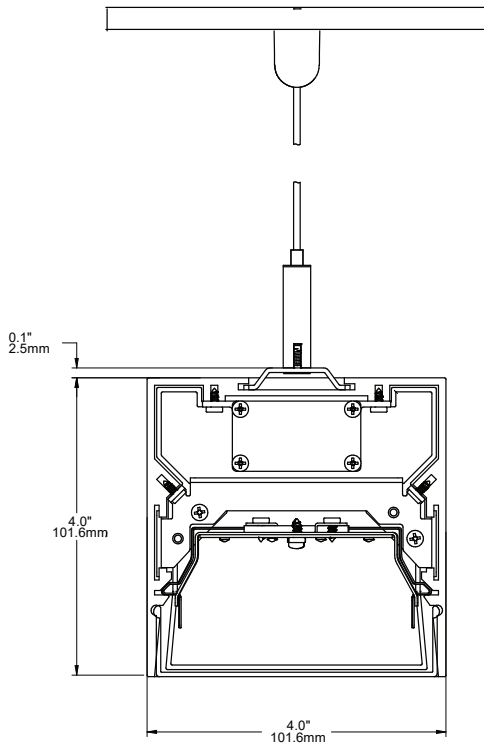
Five (5) year limited warranty to the original purchaser. The warranty covers defects in materials and workmanship under normal use and service.

For additional information see:

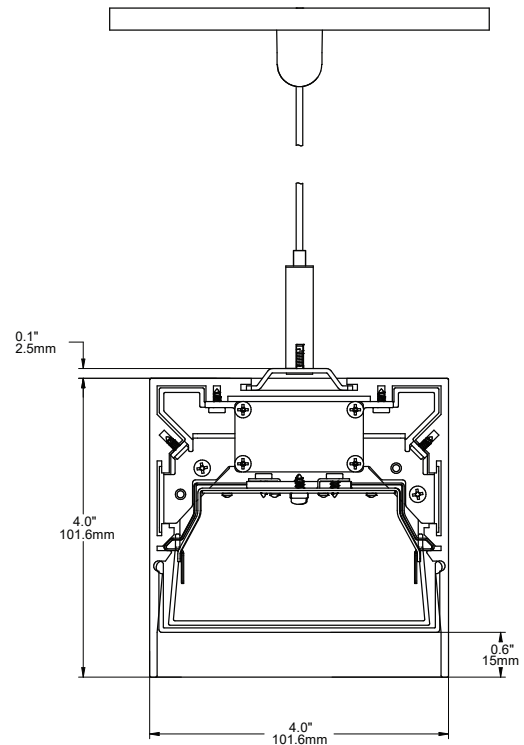
<https://nemalux.com/support/commercial-lighting-policies/>

MOUNTING OPTIONS

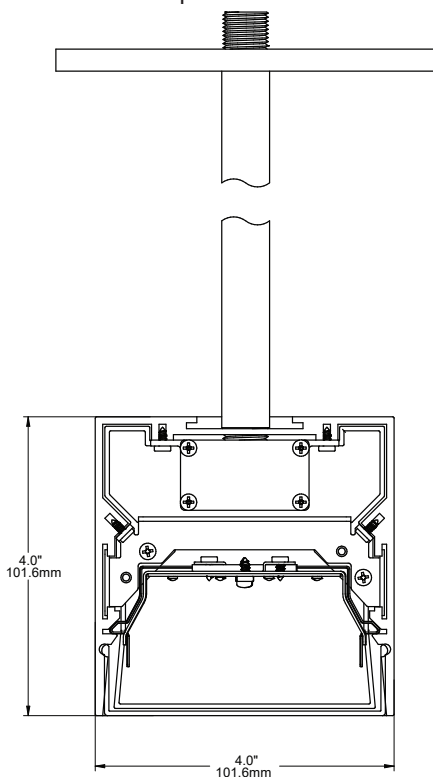
AIRCRAFT CABLE MOUNT | FLUSH LENS



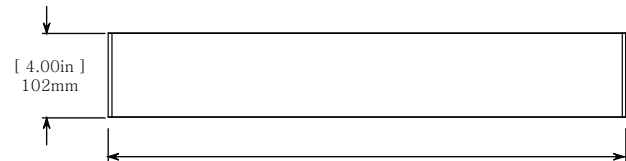
AIRCRAFT CABLE MOUNT | RECESSED LENS



RIGID MOUNT | FLUSH LENS



DIMENSIONS



Nominal Fixture	Actual Fixture
2'	24.4" (619.8mm)
3'	36.4" (924.6mm)
4'	48.4" (1229.4mm)
6'	72.4" (1838.9mm)
8'	96.4" (2448.6mm)