



## KEY FEATURES

- Designed to provide OSHA recommended illumination levels at a module spacing of 8' or less.
- IP66 and IP67 sealed design is fully dust-tight and withstands high pressure spray and temporary submersion
- Streamlined housing for quick install and teardown
- 360° light output provides up-light and down-light for improved visibility and situational awareness in enclosed spaces
- Versatile mounting options to address a variety of requirements for temporary lights stringers
- Replacement sub-assemblies are available for all parts of the system
- -50 to +70°C operating range
- Simple field replacement of damaged cable

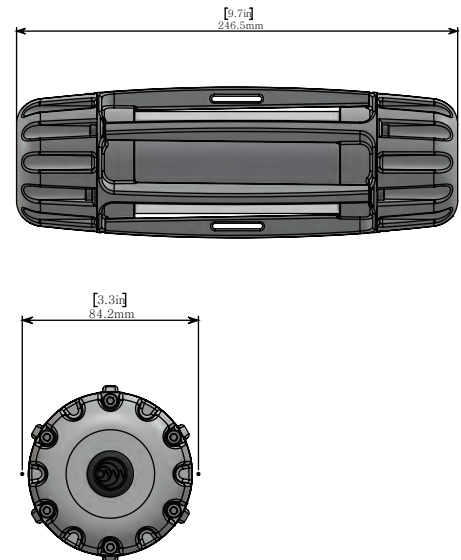


## TECHNICAL SPECIFICATIONS / MAXIMUM RATINGS

<b>HOUSING</b>	Copper-free Cast Aluminum & Borosilicate Glass
<b>INPUT VOLTAGE</b>	120VAC (50/60 Hz)
<b>RATED POWER</b>	19.5W per module
<b>TEMPERATURE RANGE</b>	-50°C to +70°C (Case ~15°C above ambient)
<b>CERTIFICATIONS</b>	Certified to UL 844, UL 1088, CAN/ULC-S1088, UL 1598, UL 1598A; CSA 22.2 No. 137; Class I, Division 2, Groups ABCD, T5; Class II, Division 1, Groups EFG, T5; Class III; Class I, Zone 2, Groups IIC; Class I, Zone 20, Groups IIIC
<b>INGRESS PROTECTION</b>	IP66/67 Suitable for wet locations. Marine Outside type (Salt water).
<b>COLOUR TEMP RANGE</b>	5000K   Special Order: 2700-6500K
<b>CRI VALUE (MIN)</b>	80+
<b>TOTAL LUMENS</b>	1550 lumens per module
<b>LUMEN MAINTENANCE</b>	LM-80 > 72,000 hrs (Based on CREE long term testing)
<b>WEIGHT</b>	1.2 kg (2.6 lbs) per module 1.6 kg (3.5 lbs) including 10ft of cord

\* The ambient temperature during lifetime, lumen and chromaticity determination is 25°C ± 1°C

## DIMENSIONS



## WARRANTY

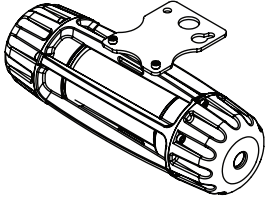
Five (5) year limited warranty to the original purchaser. The warranty covers defects in materials and workmanship under normal use and service.

For additional information see:

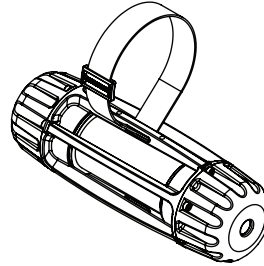
<http://www.nemalux.com/company/warranty-policy/>

**MOUNTING OPTIONS**

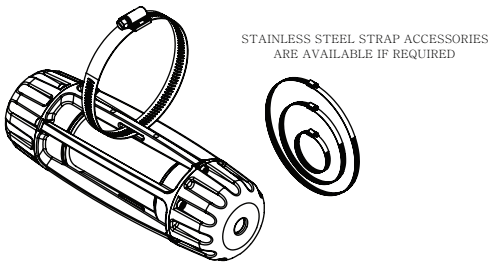
**SURFACE MOUNT (LS-SM):**



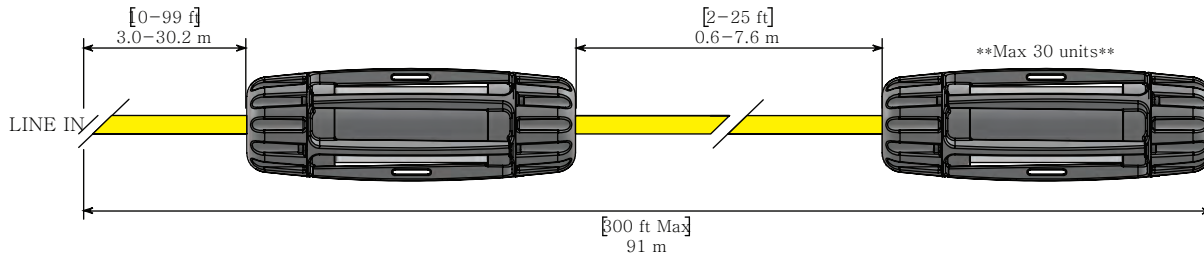
**STRAP MOUNT (LS-ST):**



**STAINLESS STEEL CLAMP MOUNT:**



**SPACING DIAGRAM:**



## ORDERING INFORMATION

PROJECT NAME		TYPE
PROJECT LOCATION		
COMMENT		DATE
PREPARED BY		

## MODEL SELECTOR

Sample Number: LS-KIT-50

MODEL	COLOUR
LS-KIT -	
	30 - 3000K 50 - 5000K
	Special Order: 2700-6500K <sup>1</sup>

### NOTES:

1. Minimum order quantities, additional costs and lead times may apply.
2. Connections using ordinary location plugs must be made outside of any hazardous classified areas.
3. Compatible with Leviton, Woodhead, Hubbell, Cooper, Ericson, and P&S waterproof receptacles.
4. Factory assembled (Just-in-time manufacturing) strings:
  - 2 to 30 units on a single string with spacing intervals of 2 ft to 25 ft
  - Standard flying lead
  - May be supplied with choice of Listed connectors suitable for classification of area of use
5. Module spacing must be 8ft or less to meet OSHA light level requirements of 5fc illuminance, for a 9ft mounting height, in an 18ft wide space, with ceiling, wall, and floor reflectance values of 70%, 50%, and 20% respectively.

## ACCESSORIES (Order Separately)

Sample Number: LS-ST

ACCESSORY
<b>LS-ST</b> - 4 ft mounting strap w/ metal cam-buckle, 1" polyester or polypropylene webbing, high-visibility orange.
<b>LS-SM</b> - Surface Mounting Accessory
<b>STS2</b> - Stainless steel mounting strap. Fits tubing 1-13/16 to 2-1/2" diameter.
<b>STS3</b> - Stainless steel mounting strap. Fits tubing 2-9/16 to 3-1/4" diameter.
<b>STS4</b> - Stainless steel mounting strap. Fits tubing 3-5/16 to 4-1/4" diameter.
<b>STS5</b> - Stainless steel mounting strap. Fits tubing 3-5/8 to 6-1/4" diameter.
<b>STS6</b> - Stainless steel mounting strap. Fits tubing 4-1/8 to 6-3/4" diameter.
<b>STS8</b> - Stainless steel mounting strap. Fits tubing 5-5/8 to 8-1/4" diameter.
<b>STS9</b> - Stainless steel mounting strap. Fits tubing 7-1/8 to 9-3/4" diameter.
<b>STS12</b> - Stainless steel mounting strap. Fits tubing 9-3/8 to 12" diameter.