

KEY FEATURES

- Available with a wide range of optical profiles:
 - Wide Frosted (125°)
 - Medium (45°)
 - Narrow (25°)
 - Oval (27° x 42°)
 - IESNA Type 2 & 4
- Designed for Hazardous Locations
- Thermally managed for maximum longevity
- Multiple adjustable mounting options
- 0-10V Dimming 10%-100%
- Extreme vibration resistance
- Impact Resistance in excess of IK08 standard
- Sealed against extreme environments: IP66 Rated, Marine Rated Outside Type (Salt Water)
- Corrosion resistant construction
- DLC v4.3 Listed, qualifying for rebate and incentive programs in some areas
- Available in Wall Mount, Pole Mount, and High-Bay configurations

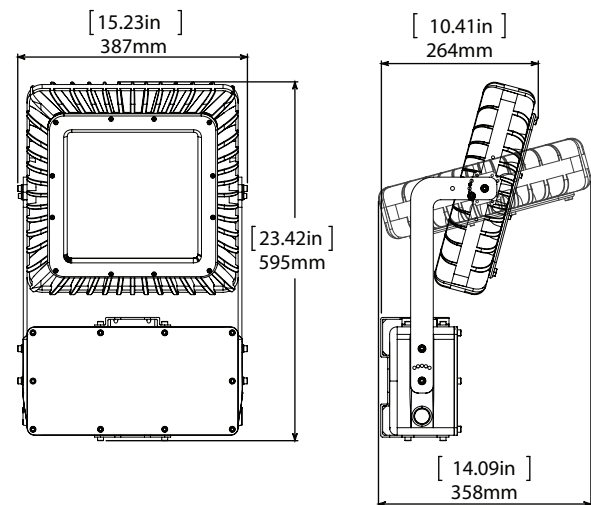


TECHNICAL SPECIFICATIONS / MAXIMUM RATINGS

HOUSING	Die-cast & Machined Aluminium
MOUNTING	SEE PAGE 3 FOR DETAILS
VOLTAGE MAXIMUM	AC: 277VAC HC: 480VAC
INPUT VOLTAGE	AC: 120-277VAC HC: 347-480VAC
POWER (TYP)	SEE CHART ON PAGE 2
CURRENT (TYP)	SEE CHART ON PAGE 2
CONNECTIONS	4 x 3/4" NPT
TEMPERATURE RANGE	SEE CHART ON PAGE 3
CERTIFICATIONS	Certified to UL 844, UL 1598, UL 1598A, & UL 8750; CSA 22.2 No. 137, CSA 22.2 No. 250.0 & CSA 22.2 No. 250.13; Class I, Division 2, Groups ABCD; Class II, Division 2, Groups FG; Class III; Class I, Zone 2, Groups IIC; Zone 22
INGRESS PROTECTION	IP66
COLOUR TEMP RANGE	CW: 5000K Custom: 3000-6500K
CRI VALUE (MIN)	70 High CRI options available on request
TOTAL LUMENS	SEE PAGE 2 FOR DETAILS
LUMEN MAINTENANCE	LM-80 > 100,000 hrs (Based on CREE long term testing)
WEIGHT	16.3 kg 36 lbs

* The ambient temperature during lifetime, lumen and chromaticity determination is 25°C ± 1°C

DIMENSIONS



WARRANTY

Five (5) year limited warranty to the original purchaser. The warranty covers defects in materials and workmanship under normal use and service.

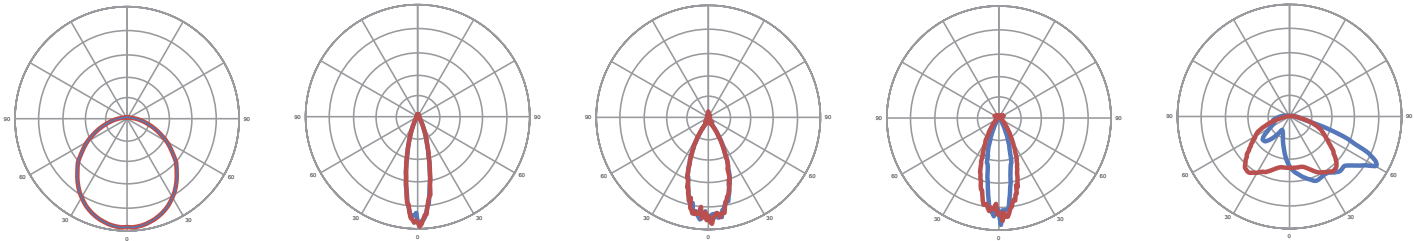
For additional information see:
<http://www.nemalux.com/company/warranty-policy/>

POWER - CURRENT SPECIFICATIONS

WIDE FROSTED MODEL								
MODEL	INPUT	POWER (TYP) [Watts]	RATED CURRENT [Amps @ 120-277VAC]	RATED CURRENT [Amps @ 347-480VAC]	CURRENT (TYP) [Amps @120VAC]	CURRENT (TYP) [Amps @277VAC]	CURRENT (TYP) [Amps @347 VAC]	CURRENT (TYP) [Amps @480 VAC]
RS10	AC	104	0.86-0.38	--	0.86	0.38	--	--
	HC	104	--	0.30-0.22	--	--	0.30	0.22
RS15	AC	136	1.13-0.49	--	1.13	0.49	--	--
	HC	136	--	0.39-0.28	--	--	0.39	0.28
RS20	AC	176	1.46-0.63	--	1.46	0.63	--	--
	HC	176	--	0.51-0.37	--	--	0.51	0.37
RS25	AC	223	1.86-0.81	--	1.86	0.81	--	--
	HC	223	--	0.64-0.46	--	--	0.64	0.46
RS30	AC	281	2.40-1.02	--	2.40	1.02	--	--
	HC	281	--	0.81-0.59	--	--	0.81	0.59

OPTICAL MODELS								
MODEL	INPUT	POWER (TYP) [Watts]	RATED CURRENT [Amps @ 120-277VAC]	RATED CURRENT [Amps @ 347-480VAC]	CURRENT (TYP) [Amps @120VAC]	CURRENT (TYP) [Amps @277VAC]	CURRENT (TYP) [Amps @347 VAC]	CURRENT (TYP) [Amps @480 VAC]
RS10	AC	106	0.88-0.38	--	0.88	0.38	--	--
	HC	106	--	0.30-0.22	--	--	0.30	0.22
RS15	AC	170	1.41-0.61	--	1.41	0.61	--	--
	HC	170	--	0.49-0.35	--	--	0.49	0.35
RS20	AC	218	1.82-0.79	--	1.82	0.79	--	--
	HC	218	--	0.63-0.45	--	--	0.63	0.45

OPTIC OPTIONS



WF - WIDE BEAM (NO OPTICS)

LUMENS	
RS10	10167
RS15	15738
RS20	18560
RS25	24276
RS30	28560

N - NARROW - 25°

LUMENS	
RS10	9656
RS15	16590
RS20	20347
RS25	N-A
RS30	N-A

M - MEDIUM - 45°

LUMENS	
RS10	9207
RS15	15818
RS20	19400
RS25	N-A
RS30	N-A

O - OVAL - 27°x42°

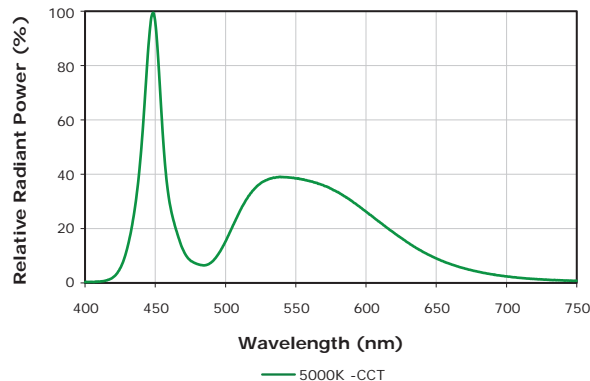
LUMENS	
RS10	9098
RS15	15631
RS20	19400
RS25	N-A
RS30	N-A

2 - IESNA TYPE 2

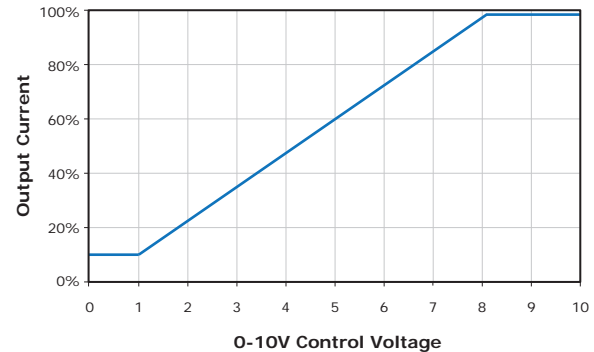
LUMENS	
RS10	10126
RS15	17397
RS20	21336
RS25	N-A
RS30	N-A

Note: Standard offering above, alternate optical profiles available upon request.
Contact Nemalux Sales representative for further details. Minimum order quantities, additional costs and lead times may incur.

PHOTOMETRICS



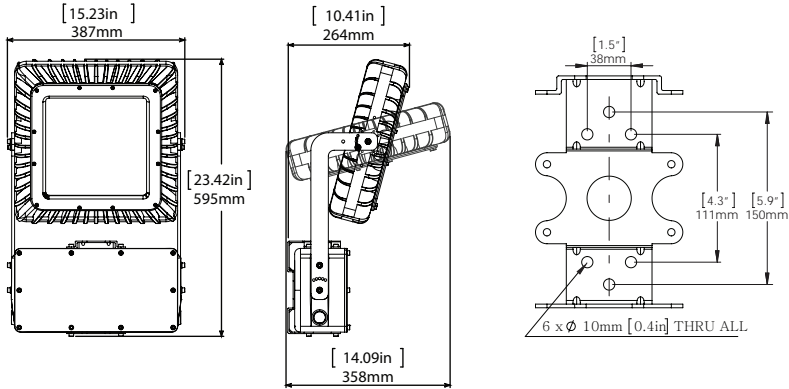
DIMMING



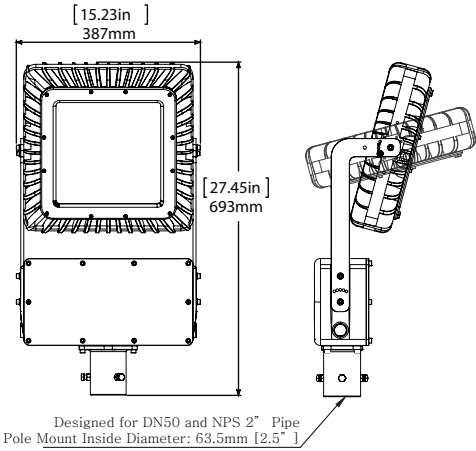
- Driver will source a maximum of 200uA for control needs
- Controller must sink current from the 0-10V control leads

MOUNTING OPTIONS

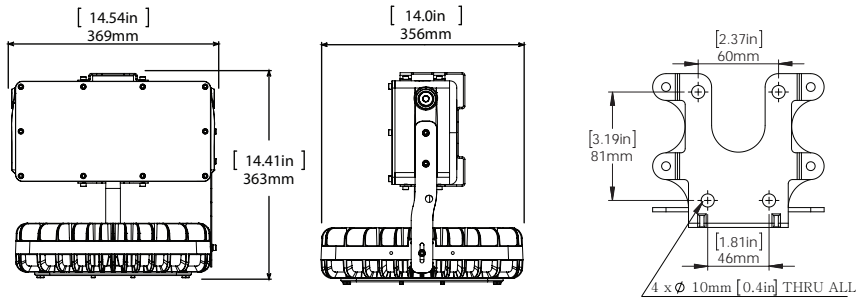
WALL MOUNT : 16.3 kg | 36 lbs



POLE MOUNT : 16.3 kg | 36 lbs



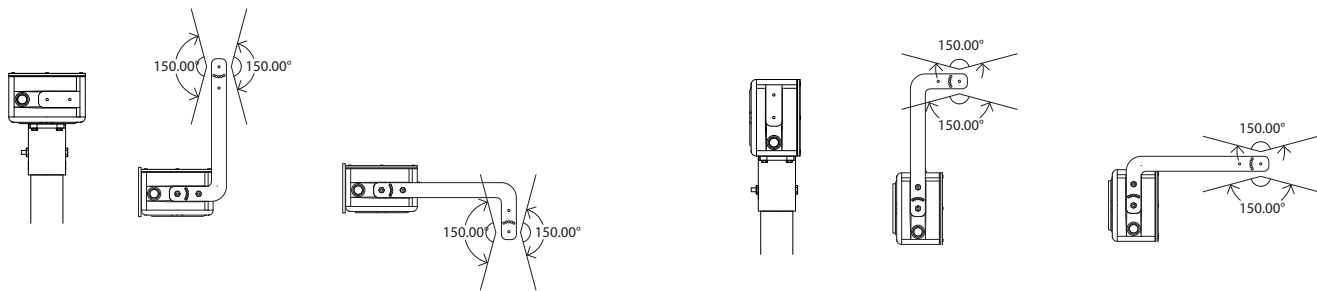
HIGH BAY: 16.3 kg | 36 lbs



ADJUSTABLE BRACKETS

Pole and Surface Mount can mount to the bottom and back of the junction box. There are eleven mounting angles in 15° increments.

NOTICE: Head must be mounted no higher than perpendicular to horizon.



TEMPERATURE RANGE CHART:

OPTICAL PROFILE	AMBIENT TEMP [°C]	CLASS I, DIV 2 T-CODES		CLASS II, DIV 2 T-CODES
		HIGHBAY (HB)	WALLPACK (WP) POLE MOUNT (PL)	ALL MOUNTS
WF	-40 to 55	T3C	T3A	T4
T, T2, T3, T4, ME	-40 to 50	T3C	T3A	T4A
N, M, O	-40 to 50	T3A	T3A	T4A

ORDERING INFORMATION

PROJECT NAME		TYPE
PROJECT LOCATION		
COMMENT		DATE
PREPARED BY		

MODEL SELECTOR

Sample Number: RS30-CW-N-GY-HZ-AC-PL

MODEL	COLOUR	OPTIC	FINISH	LOCATION	VOLTAGE	MOUNT
			GY	HZ		
RS10 RS15 ³ RS20 ³ RS25 ^{2,3} RS30 ^{2,3}	WW - 3000K ¹ CW - 5000K Special Order: 27 - 2700K ¹ 35 - 3500K ¹ 40 - 4000K ¹ 45 - 4500K ¹ 55 - 5500K ¹ 65 - 6500K ¹ High CRI options available. Please contact for details. ¹	WF - Wide Beam (No optic) M - Medium 45° N - Narrow 25° O - Oval 27°x42° T2 - IESNA Type 2 T4 - IESNA Type 4 Special Order: T - Short IESNA Type 2 ¹ T3 - IESNA Type 3 ¹ ME - M Class Roadway ¹	GY - Grey Custom finishes available. Please contact for details. ¹	HZ - Hazardous Locations	AC - 120-277VAC HC - 347-480VAC	WL - Wall Mount PL - Pole Mount HB - High Bay

NOTES:

1. Minimum order quantities, additional costs and lead times may incur.
2. Only available with WF beam profile.
3. DLC Listed models:

Model No.	Category	General Application	Classification
RS20-CW-WF-GY-HZ-AC-[WL,PL,HB]	Outdoor Luminaires	High Output	DLC Standard
RS20-CW-WF-GY-HZ-AC-HB	Indoor Luminaires	High-Bay	DLC Standard
RS25-CW-WF-GY-HZ-AC-[WL,PL,HB]	Outdoor Luminaires	High Output	DLC Standard
RS25-CW-WF-GY-HZ-AC-HB	Indoor Luminaires	High-Bay	DLC Standard
RS30-CW-WF-GY-HZ-AC-[WL,PL,HB]	Outdoor Luminaires	High Output	DLC Standard