

## KEY FEATURES

- Designed for Hazardous Locations
- Available with 100° (wide/frosted) beam profile
- Thermally managed for maximum longevity
- Robust construction suitable for outdoor applications
- Lifespan greater than 60,500 hours
- Built-in Junction Box for easy wiring

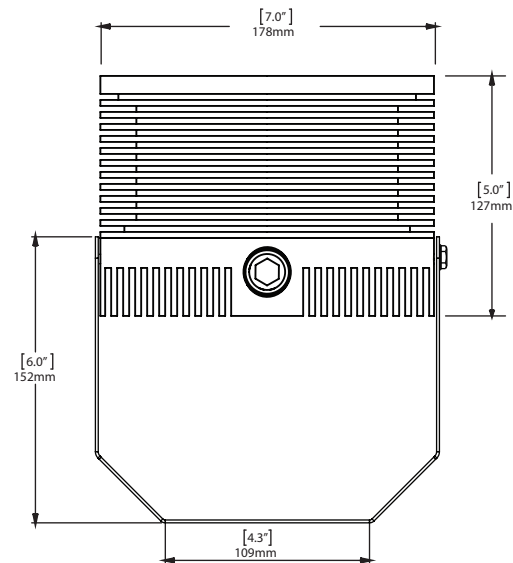


## TECHNICAL SPECIFICATIONS / MAXIMUM RATINGS

HOUSING	Anodized Aluminum
MOUNTING	Stainless Steel Yoke
VOLTAGE MAXIMUM	240VAC
INPUT VOLTAGE	100-240VAC (50/60 Hz)
POWER (TYP)	50W
CURRENT (TYP)	0.4A @ 120VAC
CONNECTIONS	1.8 m   6ft flying lead or 3/4" NPT (Custom lengths available)
TEMPERATURE RANGE	-40°C to +45°C (Case ~20°C above ambient)
CERTIFICATIONS	Class I, Division 2, Groups ABCD; T3
INGRESS PROTECTION	IP66
COLOUR TEMP RANGE	50: 5000K   Special Order: 2700-6500K
CRI VALUE (MIN)	50: 70
TOTAL LUMENS	50-W: 1996
LUMEN MAINTENANCE	LM-80 > 60,500 hrs (Based on CREE long term testing)
WEIGHT	4.3 kg   9.5 lbs

\* The ambient temperature during lifetime, lumen and chromaticity determination is 25°C ± 1°C

## DIMENSIONS



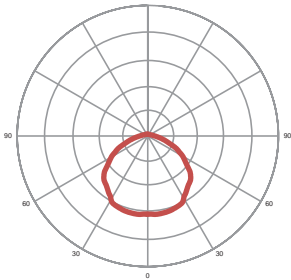
## WARRANTY

Five (5) year limited warranty to the original purchaser. The warranty covers defects in materials and workmanship under normal use and service.

For additional information see:

<http://www.nemalux.com/company/warranty-policy/>

**OPTIC OPTIONS**



W - Wide

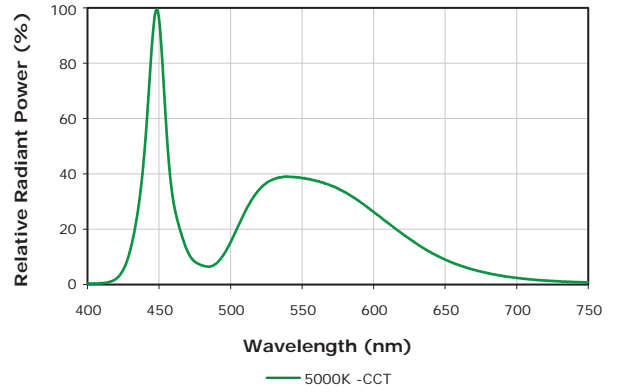
**WIDE BEAM**



**FROSTED LENS**

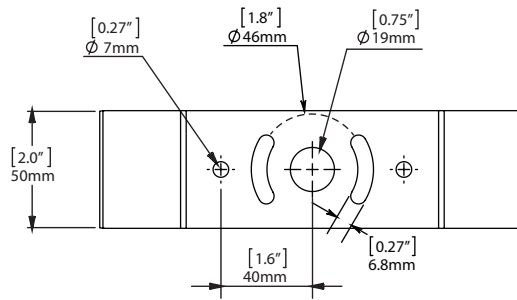
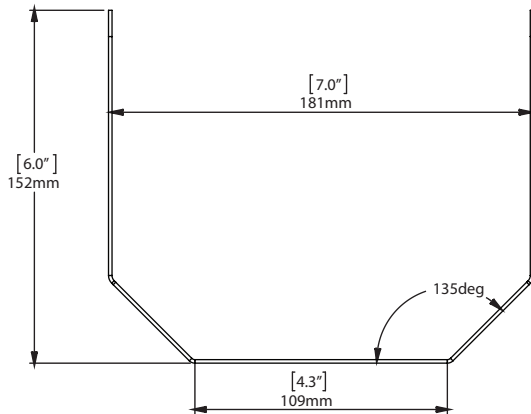


**PHOTOMETRICS**



**MOUNTING**

**MOUNTING BRACKET**



### ORDERING INFORMATION

PROJECT NAME		TYPE
PROJECT LOCATION		
COMMENT		DATE
PREPARED BY		

### MODEL SELECTOR

Sample Number: XCANLEDAC-50-WF-ALU-C1D2

MODEL	COLOUR	OPTIC	FINISH	LOCATION
XCANLEDAC-	-	-	-	<b>C1D2</b>
	<b>CW</b> - Cool White (5000K)  Special Order: 27 - 2700K <sup>1</sup> 30 - 3000K <sup>1</sup> 35 - 3500K <sup>1</sup> 40 - 4000K <sup>1</sup> 45 - 4500K <sup>1</sup> 50 - 5000K <sup>1</sup> 55 - 5500K <sup>1</sup> 65 - 6500K <sup>1</sup>	<b>WF</b> - Wide Frosted <b>W</b> - Wide	<b>ALU</b> - Clear Anodized  Custom finishes available. Please contact for details. <sup>1</sup>	<b>C1D2</b> - Hazardous Locations

### CUSTOM OPTIONS

#### WIRING

Other wire lengths available in 30 cm (1 ft) increments.<sup>1</sup>

#### NOTES:

1. Minimum order quantities, additional costs and lead times may apply.